

# 2011 HELMET RETAIL PRICE LIST

Retail Price List -- 5/16/11



## **MORNING PRIDE**

by Honeywell

The Quality System of Morning Pride Manufacturing is Certified to ISO 9001:2008

Morning Pride Helmets for the Fire Service are Marketed Exclusively Through:

# **Honeywell**

First Responder Products

#1 Innovation Court • Dayton, OH 45414

(937) 264-2662 • Fax (937) 264-2677 • 1-800-688-6148

Website: [www.HoneywellFirstResponder.com](http://www.HoneywellFirstResponder.com) • E-mail: [info@HoneywellFirstResponder.com](mailto:info@HoneywellFirstResponder.com)

## Terms of Sale

1. **PURCHASE ORDERS.** All purchases hereunder are governed solely by the terms and conditions of this Agreement and all preprinted terms and conditions contained on purchase orders or acknowledgements are excluded. Seller accepts Buyer's purchase order, but acceptance is expressly made conditional on agreement by Buyer to Seller's terms and conditions included with this acknowledgement. Buyer agrees to Seller's terms (including any inconsistencies between Buyer's purchase order and this conditional acceptance), unless Buyer promptly provides written notice of objection to Seller.
  
2. **DELIVERY TERMS.** Domestic: F.O.B. shipping point, freight prepaid by Seller and added to Buyer's invoice. Title to products pass to Buyer upon delivery to carrier from Seller's dock. Buyers are required to contact Seller directly regarding export freight policies. Freight claims for product damages or shortages can be filed on our distributor's behalf by Seller with carriers if filed in writing with Customer Service within 10 business days of receipt of shipment. Freight representing a single shipment to a single destination within the 48 contiguous U.S. states will be freight prepaid and absorbed via Seller selected overland routing when ordering per below requirements:
  - 50 garments or 50 helmets
  - 24 pr or more on boot orders (does not include accessories)
  - Gloves, hoods, bags, suspenders - \$2500 order

Freight representing a single shipment to a single destination within Canada will be freight prepaid and absorbed via Seller selected overland routing when ordering per below requirements:

  - 50 garments or 50 helmets
  - 72 pr or more on boot orders (does not include accessories)
  - Gloves, hoods, bags and suspenders - \$3000 order

Special routing requests may incur additional charges. Buyers are required to contact Seller Customer Service directly regarding export freight policies.
  
3. **MINIMUM ORDER.** \$100.00 net value. A charge of \$35.00 will be assessed to all orders that do not meet the \$100.00 minimum order value. Orders for Advanced Protective Tracking (APT) software and its accessories are excluded from this requirement.
  
4. **DISCOUNTS.** Seller's distributor discount program will apply to all distributor purchases
  
5. **HAZARDOUS MATERIAL TRANSPORTATION CHARGES.** When applicable, Hazardous Material Transportation charges will be prepaid and added to the purchaser's invoice.
  
6. **SHIP DATE ACKNOWLEDGEMENTS.** Every attempt is made to meet requested ship dates. However, if Seller cannot meet Buyer's ship date Seller will notify Buyer via phone, email or other written correspondence.
  
7. **CUSTOM ORDERS.** Certain orders may not be cancelled. In the event of a cancellation, the customer will be responsible for the full order. It will be shipped and billed accordingly. Buyer must verify with Seller Customer Service to ascertain if Buyer's order is of this type.
  - Examples include, but are not limited to:
  - Garment orders - may not be cancelled once the fabric has been cut.
  - Special Make Boots and Gloves – may not be cancelled once material has been cut.
  - Custom Helmet Fronts - may not be cancelled once order has been placed with vendor.
  
8. **CANCELLATIONS.** Seller does not accept cancellations of orders for custom or special manufactured products, or for non-stocked, long lead time products after Buyer receives and accepts order confirmation.
  
9. **TERMS OF PAYMENT.** Payment is due 30 calendar days from date of invoice. Payments must be made in U.S. currency. If Buyer is delinquent in its payment obligation to Seller, Seller may upon written notice to Buyer stop work and withhold future shipments until all delinquent amounts and late interest, if any, are paid. Additionally Seller may at its option: i) repossess Products for which payment has not been made; ii) charge interest on delinquent accounts at a rate of 1.5% per month for the maximum rate permitted by law, if lower, for each month or part thereof; iii) recover all costs of collection including, but not limited to, reasonable attorneys' fees; iv) combine any of the above rights and remedies as may be permitted by applicable law. These remedies are in addition to all other remedies available at law or in equity. This "Payments" clause will survive expiration or any termination of this Agreement. Seller may re-evaluate Buyer's credit standing at all times. If Seller reasonably determines in its sole discretion that Buyer fails to qualify for the above payment terms at any time, then Seller may without notice to Buyer modify or withdraw credit terms including, but not limited to, requiring advance payment, guarantees or other security.
  
10. **TAXES.** Seller's pricing excludes all taxes (including but not limited to, sales, use, excise, value-added, and other similar taxes), duties and charges. Buyer is responsible for all such taxes, duties and charges resulting from this Agreement or as a result of Seller's

performance hereunder, whether now or hereafter imposed, levied, collected, withheld, or assessed. If Seller is required to impose, levy, collect, withhold or assess any such taxes, duties or charges on any transaction under this Agreement, then in addition to the purchase price, Seller will invoice Buyer for such taxes, duties, and charges unless at the time of order placement Buyer furnishes Seller with an exemption certificate or other documentation sufficient to verify exemption from such taxes, duties or charges. If any taxes are required to be withheld from amounts paid or payable to Seller under this Agreement, (i) the amount will be increased so that the amount Seller receives net of the taxes withheld equals the amount Seller would have received had no taxes been required to be withheld, (ii) Buyer will withhold the required amount of taxes and pay such taxes on behalf of Seller to the relevant taxing authority in accordance with applicable law, and (iii) Buyer will forward proof of such withholding sufficient to establish the withholding amount and recipient to Seller within 60 days of payment. In no event will Seller be liable for taxes paid or payable by Buyer. This clause will survive expiration or any termination of this Agreement.

**11. PACKING.** If Seller is responsible for packing any items for shipment, Seller will pack such items in accordance with Seller's general packing instructions, suitable for air-ride vans only.

**12. FORCE MAJEURE.** Except for payment obligations, neither party will be liable to the other for any failure to meet its obligations due to any cause beyond the non-performing party's reasonable control. If the inability to perform continues for longer than 90 days, either party may terminate this Agreement by providing written notice to the other party and Buyer will pay Seller for products delivered and services performed prior to termination. Force majeure events may include but are not limited to: (1) government embargoes, (2) blockades, (3) seizure or freeze of assets, (4) delays or refusals to grant an export license or the suspension or revocation thereof, (5) any other acts of any government that would limit the ability for contract performance, (6) fires, earthquakes, floods, severe weather conditions, (7) any other acts of God, (8) quarantines or regional medical crises, (9) labor strikes or lockouts, (10) riots, strife, insurrection, civil disobedience, armed conflict, terrorism or war, declared or not (or impending threat of any of the foregoing, if such threat might reasonably be expected to cause injury to people or property), (11) shortages or inability to obtain materials or components and (12) inability or refusal by Buyer's directed third party suppliers to provide Seller parts, services, manuals, or other information necessary to the goods or services to be provided by Seller under this Agreement.

Order Adjustment. If a force majeure event causes a delay, then the date of performance will be extended by the period of time that the non-performing party is actually delayed or for any other period as the parties may agree in writing.

**13. INSPECTION AND ACCEPTANCE.** Unless other acceptance criteria have been agreed to by the Parties under this Agreement the Buyer will inspect Products within a reasonable period after delivery not to exceed 30 calendar days. Products will be presumed accepted unless Seller receives written notice of rejection explaining the basis for rejection within the same timeframe. Seller will have a reasonable opportunity to repair or replace rejected Products, at its option. Seller assumes shipping costs in an amount not to exceed normal surface shipping charges to Seller's designated facility for the return of properly rejected Products. Following initial delivery, the party initiating shipment will bear the risk of loss or damage to Products in transit. If Seller reasonably determines that rejection was improper, Buyer will be responsible for all expenses caused by the improper rejection.

Seller does not accept cancellations of orders for custom or special manufactured products, or for non-stocked, long lead time products after Seller receives order confirmation.

#### **14. WARRANTIES:**

##### **For Morning Pride and Honeywell products:**

Honeywell warrants that all Morning Pride and Honeywell protective products are free from defects in material and workmanship for the useful life of the product. This warranty specifically excludes accidental damage (acid, tears on nails, etc.), intentional or unintentional abuse, natural disasters, damage caused by disregard of care instructions, and normal wear. All warranty repairs or replacements must be substantiated as actual defects in material or workmanship upon examination by Honeywell First Responder Products, or their qualified representatives, before any free repair or replacement can be authorized. It is recommended that the user frequently inspect and properly maintain these products in order to provide the designed levels of NFPA protection.

Honeywell warrants that Morning Pride by Honeywell helmet shells are free from defects in material and workmanship for a period of 5 years from the date of manufacture when used for normal firefighting and related operations. This warranty does not cover accidental damage, intentional or unintentional abuse, natural disasters, damage caused by disregard of care instructions and normal wear. END USER IS STRONGLY CAUTIONED not to install any accessory piercing the shell.

THESE WARRANTIES ARE EXCLUSIVE AND IN LIEU OF ALL OTHER WARRANTIES, WHETHER WRITTEN, EXPRESS, IMPLIED, STATUTORY OR OTHERWISE, INCLUDING, BUT NOT LIMITED TO, THE IMPLIED WARRANTIES OF MERCHANTABILITY AND FITNESS FOR PARTICULAR PURPOSE. IN NO EVENT WILL HONEYWELL BE LIABLE FOR ANY INCIDENTAL, CONSEQUENTIAL, SPECIAL, OR INDIRECT DAMAGES, EVEN IF INFORMED OF THE POSSIBILITY OF THESE DAMAGES AND NOTWITHSTANDING THE FAILURE OF THE ESSENTIAL PURPOSE OF ANY LIMITED REMEDY. NO EXTENSION OF THIS WARRANTY WILL BE BINDING UPON HONEYWELL UNLESS SET FORTH IN WRITING AND SIGNED BY HONEYWELL'S AUTHORIZED REPRESENTATIVE.

**For Footwear:**

Honeywell warrants that all footwear products manufactured and/or distributed by PRO-Warrington, Ranger, Servus, Honeywell First Responder Products, or its authorized distributors are free from any defects in material or workmanship for a period of one year from the date of manufacture. Products considered to be defective should be returned to an authorized distributor at owner's expense for inspection. The product will be either repaired or replaced at the discretion of Honeywell. Any replacement will be for the same style and size. This warranty covers normal firefighting use only. This warranty specifically excludes accidental damage (acid, tears on nails, etc.), intentional or unintentional abuse, natural disasters, damage caused by disregard of care instructions, exposure to a substance or environment that degrades the product and normal wear.

THESE WARRANTIES ARE EXCLUSIVE AND IN LIEU OF ALL OTHER WARRANTIES, WHETHER WRITTEN, EXPRESS, IMPLIED, STATUTORY OR OTHERWISE, INCLUDING, BUT NOT LIMITED TO, THE IMPLIED WARRANTIES OF MERCHANTABILITY AND FITNESS FOR PARTICULAR PURPOSE. IN NO EVENT WILL HONEYWELL BE LIABLE FOR ANY INCIDENTAL, CONSEQUENTIAL, SPECIAL, OR INDIRECT DAMAGES, EVEN IF INFORMED OF THE POSSIBILITY OF THESE DAMAGES AND NOTWITHSTANDING THE FAILURE OF THE ESSENTIAL PURPOSE OF ANY LIMITED REMEDY. NO EXTENSION OF THIS WARRANTY WILL BE BINDING UPON HONEYWELL UNLESS SET FORTH IN WRITING AND SIGNED BY HONEYWELL'S AUTHORIZED REPRESENTATIVE.

**15. RETURNS.** Authorization for return of merchandise must be obtained in writing from Seller Customer Service. Returned product must be identified with a Return Merchandise Authorization (RMA) number provided by Seller Customer Service. The RMA number must be clearly marked on all packages. A restocking charge of 20% will apply on helmets, boots, hoods, gloves and suspenders returned 90 days from purchase, provided such goods are in saleable condition. Returned products not deemed saleable, at the sole discretion of Seller, will be disposed of or returned at the distributor's expense and no credit will be issued. Expiration dated product, custom products, discontinued items, specialty items, etc., may not be returned for credit. Products may not be returned more than 12 months after original sale. Products returned without authorization will be disposed of or returned at the distributor's expense, and no credit will be issued. Return Authorizations must be returned to Seller within 30 days of authorization date.

**16. INDEMNITY AGAINST PATENT INFRINGEMENT.** At its expense, Seller shall defend any action brought against Buyer and pay all of Buyer's reasonable expenses and damages, but only to the extent that such expenses and damages do not exceed the aggregate amount paid by Buyer for the Products manufactured by Seller, for any claims that such Products infringe a patent or copyright effective in the United States. Buyer must notify Seller promptly in writing of the action (and all prior claims relating to such action) and give Seller sole control of the defense and all negotiations for its settlement or compromise. If Products manufactured by Seller become, or in Seller's opinion are likely to become, the subject of a patent or copyright infringement claim, Seller may at its option either secure Buyer's right to continue using such Products, replace or modify the Products to make them non-infringing, or, if neither of the foregoing alternatives is reasonably available, refund all money paid by Buyer for the Products. Seller shall have no liability for any claim of copyright or patent infringement based on (i) alteration of the Products manufactured by Seller by entities other than Seller, or (ii) use or combination of Products manufactured by Seller with Programs, software, data or equipment not supplied by Seller.

THIS SECTION CONSTITUTES SELLER'S SOLE LIABILITY, AND BUYER'S SOLE RECOURSE AND EXCLUSIVE REMEDY, IN THE EVENT OF ANY INFRINGEMENT OR OTHER VIOLATION OF INTELLECTUAL PROPERTY RIGHTS WITH RESPECT TO PRODUCTS MANUFACTURED BY SELLER.

**17. INDEMNIFICATION.** Each party will indemnify, defend, and hold the other harmless against third party claims (including, without limitation, the parties' employees) for personal injury, death or loss of or damage to property caused solely by its negligence in the performance of this Agreement. The indemnitor's obligations under this Clause are conditioned on receiving prompt notice of a claim from the indemnitee. The indemnitor will be entitled exclusively to control the defense. At the indemnitor's expense, the indemnitee will provide reasonable assistance in defense of the claim including, but not limited to, promptly furnishing the indemnitor with all relevant information within its possession or control. Because the indemnitor will provide the defense, the indemnitor will not be liable for any attorney fees or costs of indemnitee. The indemnitee may participate in the defense, but in no event will the indemnitor be liable for the indemnitee's attorney fees or costs. The indemnitee may not enter into any settlement, assume any obligation or make any concession without the prior written approval of indemnitor, which may not be unreasonably withheld.

**18. LIMITATION OF LIABILITY.** IN NO EVENT WILL SELLER BE LIABLE FOR ANY INCIDENTAL DAMAGES, CONSEQUENTIAL DAMAGES, SPECIAL DAMAGES, INDIRECT DAMAGES, LOSS OF PROFITS, LOSS OF REVENUES, OR LOSS OF USE, EVEN IF INFORMED OF THE POSSIBILITY OF SUCH DAMAGES. SELLER'S LIABILITY FOR DAMAGES ARISING OUT OF OR RELATED TO THIS AGREEMENT SHALL IN NO CASE EXCEED THE LESSER OF THE AMOUNT PAID BY BUYER TO SELLER OR THE CONTRACT PRICE FOR THE SPECIFIC PRODUCT OR SERVICE THAT GIVES RISE TO THE BREACH. TO THE EXTENT PERMITTED BY APPLICABLE LAW, THESE LIMITATIONS AND EXCLUSIONS WILL APPLY REGARDLESS OF WHETHER LIABILITY ARISES FROM BREACH OF CONTRACT, WARRANTY, TORT (INCLUDING BUT NOT LIMITED TO NEGLIGENCE), BY OPERATION OF LAW, OR OTHERWISE.

- 19. COMPLIANCE WITH LAWS.** Buyer is responsible for compliance with all import and export control laws and regulations. Buyer will obtain import, export, re-export approvals and licenses required for goods, transfers, services and technical data delivered and will retain documentation to support compliance with those laws and regulations.
- 20. NOTICES.** Every Notice between the Parties relating to the performance or administration of this Agreement shall be made in writing.
- 21. SEVERABILITY.** In the event any provision of this Agreement is determined to be illegal, invalid, or unenforceable, the validity and enforceability of the remaining provisions of this Agreement will not be affected and, in lieu of such illegal, invalid, or unenforceable provision, there will be added as part of this Agreement one or more provisions as similar in terms as may be legal, valid and enforceable under applicable law.
- 22. WAIVER.** The failure of either party to enforce at any time any of the provisions of this agreement shall not be construed to be a continuing waiver of any provisions hereunder nor shall any such failure prejudice the right of such party to take any action in the future to enforce any provisions hereunder.
- 23. SETOFF.** Buyer will not set off or recoup invoiced amounts or any portion thereof against sums that are due or may become due from Seller, its parent, affiliates, subsidiaries or other divisions or units.
- 24. APPLICABLE LAW AND FORUM.** This Agreement will be governed by the laws of the State of New York and the United States of America, without regard to conflicts of law principles. Seller and Buyer expressly agree to exclude from this Agreement the United Nations Convention on Contracts for the International Sale of Goods, 1980, and any successor thereto. The federal and/or state courts located within New York, New York, USA will have exclusive jurisdiction to adjudicate any dispute arising out of or related to this Agreement.
- 25. ASSIGNMENT.** Neither Party will assign any rights or obligations under this Agreement without the advance written consent of the other Party, which consent will not be unreasonably withheld. Either Party may assign this Agreement in connection with the sale or transfer of all or substantially all of the assets of the business to which it pertains. Any attempt to assign or delegate in violation of this clause will be void.
- 26. TRADEMARKS.** Buyer acknowledges the proprietary nature and exclusivity of Seller ownership of the trademarks associated with Seller's products ("Trademarks"). Buyer acknowledges that it has no right, title, or interest in the Trademarks. If Buyer is an authorized distributor of Seller, Buyer may use the Trademarks solely for the purpose of identifying itself as an authorized distributor of products and to identifying the products as Seller's products. In the event that Buyer ceases to be an authorized distributor of Seller Products, Buyer shall cease any use of Seller Trademarks. Buyer shall not (i) directly or indirectly, including through any affiliate, produce, promote, advertise, distribute, sell or offer for sale, directly or indirectly, without prior written consent of Seller any item anywhere that bears a trademark, or trade dress that may infringe Seller's intellectual property interest in, or otherwise may, in Seller's good faith determination, create confusion with the Trademarks. Furthermore Buyer shall not use Trademarks in any manner likely to diminish their commercial value or make any representation to the effect that the Trademarks are owned by Buyer rather than Seller or challenge the validity of Seller ownership in Trademarks.
- 27. SURVIVAL.** All provisions which by their meaning and intent would reasonably be assumed to survive the termination or expiration of this Agreement shall so survive.

# STRUCTURAL HELMETS – TRADITIONAL – BEN 2 LR LOW RIDER & BEN 2 PLUS

NFPA 1971, 2007 Edition Certified



## NEW LOW RIDER

### How to Build Your Helmet

#### Step 1: Specify base model:

Base model includes FYR-Glass shell, 2-piece padded brow comfort cap and ratchet, 6-point suspension with 6 depth adjustments, aramid liner cap, postman slide chinstrap, APEC 4" x .150" faceshield, 8 line Reflexite® trapezoids, gold plated eagle leather front holder and hang-up loop

#### Step 2: Select required components:

- Choose optional chinstraps
- Choose optional ear covers
- Choose optional eye/face protection
- Choose optional retroreflective trim pattern/packages
- Choose optional eagle front holder

#### Step 3: Select options:

- Choose accessories
- Choose front
- Auxiliary helmet products
- Choose shell color: B–Black, W–White, R–Red, Y–Yellow, O–Orange, U–Blue, G–Green

NEW Ben 2 LR Low Rider Base Models:		Price	GSA Code
HT-BFL-HDO	Head Only Protection	\$ 378.95	633-30
HT-BFL-BPR	Bloodborne Pathogen Resistant requires moisture barrier-backed ear covers and faceshield	\$ 390.35	633-30

Ben 2 Plus Base Models:		Price	GSA Code
<b>Base model:</b> Ben 2 Plus FYR-Glass helmet with 8-point padded ratchet suspension and hang-up loop			
HT-BF2-HDO	Ben 2 Plus HDO	\$ 399.39	633-30
HT-BF2-BPR	Ben 2 Plus BPR	\$ 410.79	633-30

### Ben 2 LR Low Rider Helmet Examples:

Part No.	Item	HDO Price	BPR Price	GSA Code
HT-BFL	Ben 2 LR Low Rider FYR-Glass shell with 6-point padded ratchet suspension and hang-up loop	\$ 200.86	\$ 200.86	633-30

### Required Components

Part No.	Item	HDO Price	BPR Price	GSA Code
HP-CDB-2007	Standard Nomex® quick-release postman slide chinstrap	\$ 21.99	\$ 21.99	633-30
HP-F40-2007	Standard BPR yellow Nomex® moisture barrier FR cotton ear cover	-	\$ 35.55	633-30
HP-F50-2007	Standard HDO yellow Nomex® 2-layer FR cotton ear cover	\$ 24.15	-	633-30
HP-E150	Standard 4" x .150" clear hi-temp faceshield	\$ 75.42	\$ 75.42	633-30
HP-R12	Standard LR Low Rider headband ratchet cover	\$ 7.55	\$ 7.55	633-30
HL-BRTL	Standard Reflexite® trapezoids lime - 8	\$ 3.09	\$ 3.09	633-30
HP-HAE	Standard plated golden traditional eagle	\$ 45.89	\$ 45.89	633-30
<b>Totals</b>		<b>\$ 378.95</b>	<b>\$ 390.35</b>	<b>633-30</b>

## REQUIRED COMPONENTS

Part No.	Item	Price	GSA Code
<b>Chinstrap Choices</b>			
HP-CDB-2007	Standard Nomex® quick-release postman slide	\$ 21.99	633-30
HP-CMW-2007	Nomex® Milwaukee chinstrap	\$ 11.99	633-30
HP-CN4-2007	Nomex® 4-pt. quick-release chinstrap	\$ 27.32	633-30
HP-CMM-2007	Maskmate™ Nomex® *	\$ 49.75	633-30
HP-CMM1-2007	Maskmate™ Pbi™ *	\$ 60.04	633-30
*FR cotton ear cover included			
<b>Ear Cover Choices</b>			
HP-F40-2007	Standard BPR yellow Nomex® moisture barrier FR cotton	\$ 35.55	633-30
HP-F50-2007	Standard HDO yellow Nomex® 2-layer FR cotton	\$ 24.15	633-30
HP-F42-2007	Bronze Pbi™ Crosstech® PJ/FR cotton – BPR	\$ 50.21	633-30
HP-F52-2007	Bronze Pbi™ 2-layer FR cotton – HDO	\$ 39.85	633-30
HP-F60-2007	Yellow Nomex® FR cotton Canadian ear cover w/Nomex® chinstrap	\$ 41.72	633-30

(Other outer shells, moisture barriers and colors also available)

Part No.	Item	Price	GSA Code
<b>Eye and Face Protection Choices</b>			
HP-E150	Standard 4" x .150" clear hi-temp (APEC) faceshield	\$ 75.42	633-30
HP-E150DS	4" x .150" amber hi-temp Dura-Shield	\$ 82.86	633-30
HP-E30	Paulson NFPA 1971 goggles	\$ 81.36	633-30
HP-E20	ESS NFPA 1971 goggles	\$ 75.08	633-30
HP-E22	ESS NFPA 1971 2-strap quick-attach goggles	\$ 79.27	633-30
HP-EEZ	EZ-Flips	\$ 88.87	633-30
HP-EEZNFPANFPA	NFPA 1971 certified EZ-Flips	\$ 101.23	633-30
HP-EEZANSI	ANSI Z87.1 and NFPA 1971 certified EZ-Flips	\$ 115.79	633-30

When OSHA, not NFPA compliant, is desired: WE strongly recommend the NFPA performance requirements. Currently we have only received official documentation that can legally allow this variance from NFPA 1971, yet still meet state OSHA, in CA and NY. Customers in other states must submit to us for review your state's OSHA (or equivalent). Until we make a review, we do not offer OSHA compliance opinions on these variances in not other states.

### Headband Ratchet Covers

Part No.	Item	Price	GSA Code
HP-RLR	One-piece leather brow comfort cap and ratchet cover (Plus only)	\$ 49.37	633-30
HP-RLR-12	Leather headband and ratchet cover (Low Rider)	\$ 37.90	633-30
HP-R01	Plus headband ratchet cover	\$ 8.46	633-30

**STRUCTURAL HELMETS – TRADITIONAL – BEN 2 LR LOW RIDER & BEN 2 PLUS (continued)**

**REQUIRED COMPONENTS**

Part No.	Item	Price	GSA Code
<b>Reflective Trim Pattern/Package</b>			
HL-BRTL	Standard Reflexite® trapezoids – lime - 8	\$ 3.09	633-30
HL-BSTL	3M™ Scotchlite™ trapezoids – lime - 8	\$ 14.73	633-30
HL-BSTO	3M™ Scotchlite™ trapezoids – orange - 8	\$ 14.73	633-30
HL-BTTL	3M™ Scotchlite™ 2-tone trapezoids – lime - 8	\$ 14.73	633-30

Part No.	Item	Price	GSA Code
<b>Reflective Trim Pattern/Package continued</b>			
HL-BTTO	3M™ Scotchlite™ 2-tone trapezoids – orange - 8	\$ 14.73	633-30
<b>Traditional eagle front holders</b>			
HP-HAE	Standard golden alloy plated eagle	\$ 45.89	633-30
HP-HSE	Stamped brass eagle	\$ 80.27	633-30

**OPTIONAL ACCESSORIES**

Part No.	Item	Price	GSA Code
<b>Custom Faceshield Logo Decals</b>			
HL-CRIS	1 1/2" custom faceshield logo decal that covers Morning Pride logo on left side of black end cover. Customer provided art, black ink only. Must add set-up charge (HF-IC).	\$ 16.14	633-30
HL-CRIL	2" Multicolor decal	\$ 16.95	633-30
HF-IC	Plus set-up charge per run (no discount)	\$ 61.02	633-30

Part No.	Item	Price	GSA Code
<b>Goggle Garage</b>			
HP-GG	Goggle Garage – Black Nomex® with Reflexite® lime trim. Call if other than listed materials are desired.	\$ 35.08	633-30

**OPTIONAL FRONTS**

Part No.	Item	Price	GSA Code
<b>Assigned Officer Front</b>			
HF-AOF	Assigned officer front includes 2 - 3 number/letter cutout	\$ 53.87	633-30
HF-Hi	Heraldric insignia – specify	\$ 24.19	633-30
HF-RBLS	Reflective bottom 1/2" lettering	\$ 10.40	633-30
<b>Firefighter Front</b>			
HF-FF	Firefighter frame	\$ 48.64	633-30
HF-Pi	Panel insert – specify	\$ 18.11	633-30
HF-Pi2	Panel insert – Probationary	\$ 18.11	633-30
HF-RBLL	Reflective bottom 1" lettering	\$ 10.75	633-30
<b>Covering Officer Front</b>			
HF-COF	Covering officer frame	\$ 49.02	633-30
HF-Pi	Panel insert – specify	\$ 18.11	633-30
HF-Pi2	Panel insert – specify	\$ 18.11	633-30
HF-RBLS	Reflective bottom 1/2" lettering	\$ 10.40	633-30
<b>L.A. County Style Front</b>			
HF-LACO	2-piece leather front, leather back w/3 cutouts, Truck Style 3M™ Scotchlite™ title, center letters/ numbers & lettered bottom	\$ 88.87	633-30

Part No.	Item	Price	GSA Code
<b>Houston Style Front</b>			
HF-HSTN	Same as L.A. County front but slightly narrower front and smaller center cut-out	\$ 91.23	633-30
<b>Memphis Front</b>			
HF-MEM	3-layer leather front, 3M™ Scotchlite™ top and bottom retroreflective lettering and numbers	\$ 80.02	633-30
HF-Pi3	Insert – Retroreflective	\$ 29.02	633-30
HF-Pi5	Insert – Sewn	\$ 24.88	633-30
<b>Recognition Award Front</b>			
HF-CRA	3-layer leather front, 3M™ Scotchlite™ top and bottom retroreflective lettering and numbers	\$ 99.83	633-30
<b>Field Comm Unit Front</b>			
HF-LFC	3-layer leather front, 3M™ Scotchlite™ top, center and bottom retroreflective lettering and numbers	\$ 97.82	633-30
<b>Truck Front</b>			
HF-TRK	Scrolled leather front, Truck Style Scotchlite® title, center letters/numbers & lettered bottom	\$ 70.03	633-30

**STRUCTURAL HELMETS – TRADITIONAL – BEN 2 LR LOW RIDER & BEN 2 PLUS (continued)**

**OPTIONAL FRONTS (continued)**

Part No.	Item	Price	GSA Code
<b>Optional Fronts continued</b>			
<b>Basic Front</b>			
HF-BASIC	Plain leather front, garment style Scotchlite® top rank center letters/numbers	\$ 34.02	633-30
HF-RHBI	Custom lettered 1" x 3" bar at bottom.	\$ 1.98	633-30
Lime Reflexite® is our standard helmet trim material. If a color for lettering is not listed on your basic front order, lime 3M™ Scotchlite™ will be provided to match the trim package color.			
<b>Custom Fronts</b>			
HF-FTWTH*	Fort Worth style front	\$ 65.25	633-30
HF-SCRAM	Sacramento front (Combination of Houston and Ft. Worth) reflective background includes Truck style lettering top & bottom	\$ 88.07	633-30
HF-ABCC	Acting Batt Chief (recessed)	\$ 106.30	633-30
HF-ABCR	Acting Batt Chief (raised)	\$ 106.30	633-30
HF-AAF	Arched Assigned Officer (recessed)	\$ 91.68	633-30
HF-LFCR	Field Comm Unit (raised)	\$ 101.50	633-30
HF-COL*	Columbus style front	\$ 68.97	633-30
HF-CHI*	Chicago style front (Same as Columbus Front above but without notch at top and top faceshield stopping caps)	\$ 68.97	633-30
HF-GLD	Gold leaf front	\$ 360.15	633-30
HF-GLD PROOF	Custom proof additional no Discount	\$ 32.76	633-30
HF-CUSTOM	Please contact Customer Service to arrange other custom quotes. We have full customization capabilities.	CALL	633-30

\*HF-CHI (Chicago front) & HF-COL (Columbus front) do not include center insert. Our HF-PS4 (leather) passport insert interface with these custom fronts.

\*Chicago (HF-CHI), Ft Worth (HF-FTWTH) and Columbus (HF-COL) fronts may have a one time only die(s) charge if specialized lettering required is not currently in our stock of dies. Please contact our Customer Service Department about your specific order.

**Passport/Accountability Systems**

<b>Houston Fronts</b>			
HF-PS3	Houston Velcro® front. Must order insert to make system functional (HF-PS4).	\$ 82.95	633-30
HF-PS4	Leather/Velcro® vnsert (for use with part number HF-PS3) has Velcro® hook sewn back; 2 Scotchlite® truck style reflective block numbers.	\$ 19.03	633-30

Part No.	Item	Price	GSA Code
<b>L.A. County Fronts</b>			
HF-PS15	L.A. County Velcro® center. Front Must order insert to make system functional (HF-PS9)	\$ 87.45	633-30
HF-PS9	Leather/Velcro® insert (for use with part number HF-P15) has Velcro® hook sewn back; up to 3 sewn on numbers	\$ 23.07	633-30
HF-PS8	Leather/Velcro® insert (for use with Part Number HF-15) Same as above except 3 Scotchlite® truck style reflective block numbers	\$ 26.58	633-30
HF-PS10	This dual intermediary part is Velcro® on one side and a magnet on the other. If you wish to use a magnetic insert on a Velcro® center. Front, order this part for either application.	\$ 4.22	633-30
HF-PS17	Magnetic insert (for use with part number HF-PS15) covered with truck style Scotchlite® and 3 truck style Scotchlite® block numbers. Must have HF-PS10 to work.	\$ 28.12	633-30

**Multicolor integral option for fronts (customer provides art)**

HL-CRIS	Multicolor integral decal* 1 1/2". Plus cost of front. Must add set-up charge (HF-IC).	\$ 16.14	633-30
HL-CRIL	2" Multicolor decal	\$ 16.95	633-30
HF-IC	Plus set-up charge per run (No discount)	\$ 61.02	633-30

\*These logos can be applied to L.A. County, Houston, or truck leather fronts at no extra charge. \*Customer must provide artwork/patch.

**Metal Circular Rank Insignias**

HL-RIGT	Gold tone 1 1/2" rank insignias. Specify rank.	\$ 87.84	633-30
HL-RIST	Silver tone 1 1/2" rank insignias. Specify rank.	\$ 87.84	633-30

These insignias may be used on all fronts except HF-DAYTON, HF-GLD, HF-MEM, HF-PS2, HF-PS3, HF-PS15, HF-FF and HF-COF

**Anti-snag Front Stabilization Bracket for Leather Fronts**

HF-BRLF	Helps keep leather fronts from curling under extreme temperature conditions. For use on all leather fronts.	\$ 5.63	633-30
HF-BRS	Optional screw	\$ 0.11	633.3



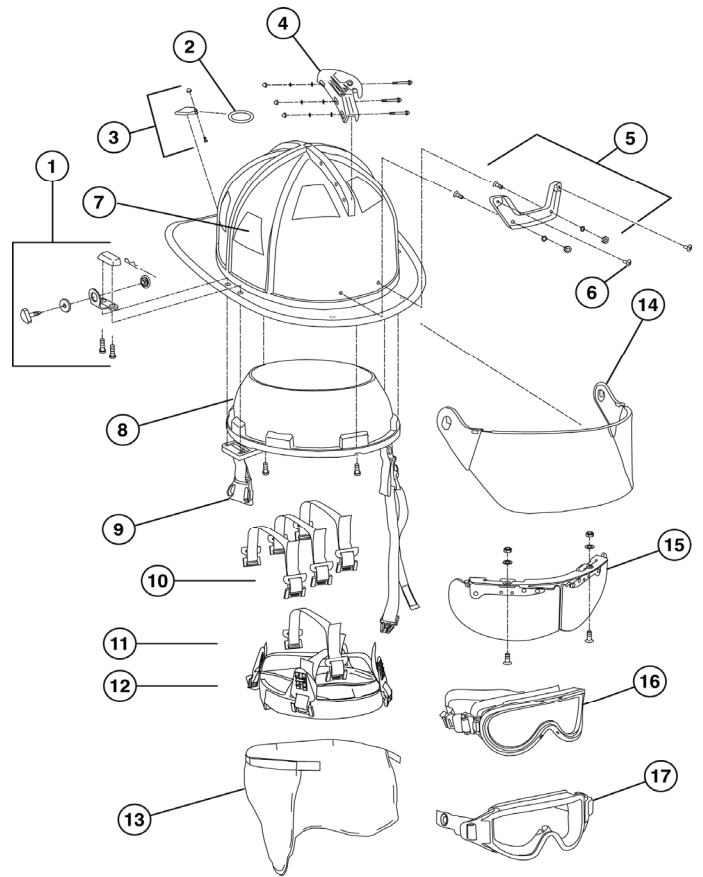
**STRUCTURAL HELMETS – TRADITIONAL – BEN 2 LR LOW RIDER & BEN 2 PLUS (continued)**

**2007 EDITION REPLACEMENT PARTS**

No.	Part No.	Item	Price	GSA Code
1	HR-FSGABB	Faceshield bracket kit	\$ 20.40	633-30
2	HR-H04	D-ring hang-up loop only (Gold Anodized)	\$ 2.86	633-30
3	HR-H05	D-ring bracket mounting clip (gold anodized) with hardware to attach	\$ 3.67	633-30
4	HP-HAE	<b>Standard</b> – Plated golden eagle	\$ 45.89	633-30
5	HR-H03	U-brackets and hardware to attach	\$ 10.20	633-30
6	HR-H13	Screw for installing leather front on U-brackets	\$ 0.21	633-30
7	HL-BRTL	<b>Standard</b> – Reflexite® trapezoids – lime – 5	\$ 3.09	633-30
8	HR-SUSB-2007	Suspension ring	\$ 13.93	633-30
9	HP-CDB-2007	<b>Standard</b> Nomex® quick-release postman slide chinstrap	\$ 21.99	633-30
10	HR-H23	Ben 2 Plus 3 strap kit	\$ 5.41	633-30
11	HR-SSB-12	LR Low Rider headband suspension kit w/3 straps	\$ 32.50	633-30
12	HR-SSB-2007	Ben 2 Plus ratchet headband suspension kit includes 3 straps	\$ 40.48	633-30
13	HP-F50-2007	<b>Standard HDO</b> yellow Nomex® 2-layer FR cotton ear cover	\$ 24.15	633-30
14	HR-E150	<b>Standard</b> – 4" x .150" clear hi-temp (APEC) faceshield	\$ 75.42	633-30
15	HP-EEZNFPA	NFPA 1971 certified EZ-Flips	\$ 101.23	633-30
16	HP-E30	Paulson NFPA 1971 goggles	\$ 81.36	633-30
17	HP-E22	ESS NFPA 1971 quick-attach goggles	\$ 79.27	633-30

**Additional 2007 Edition Replacement Parts**

HR-H20	Screw plates (when switching from faceshield to goggles or EZ-Flips)	\$ 4.63	633-30
HR-H01	Hardware for standard plated golden and brass stamped eagles	\$ 6.34	633-30
HR-H02	Hardware only for screaming eagle	\$ 6.34	633-30
HR-EBKBN	Edge beading kit	\$ 29.89	633-30
HP-WLB4	Aramid liner cap	\$ 9.00	633-30



**Additional 2007 Edition Replacement Parts**

Part No.	Item	Price	GSA Code
HR-E150DS	4" x .150" amber hi-temp Dura-Shield	\$ 82.86	633-30
HR-E301	Paulson goggle strap assembly	\$ 15.32	633-30
HR-E302	Paulson goggle lenses	\$ 34.00	633-30
HR-E201	ESS goggle strap assembly	\$ 39.11	633-30
HR-E202	ESS goggle lenses	\$ 41.35	633-30

**2000 Edition Plus Replacement Parts\***

Part No.	Item	Price	GSA Code
HR-SSB	Ratchet/Headband Suspension	\$ 40.48	633-30
HR-SUSB-2007	Suspension Ring	\$ 13.93	633-30
HP-CDB	Chinstrap Double Buckle	\$ 19.83	633-30

\*These items are compatible with 2007 Edition helmets.

# STRUCTURAL HELMETS – MODERN – LITE FORCE LR LOW RIDER & LITE FORCE PLUS

NFPA 1971, 2007 Edition Certified



## NEW LOW RIDER

### How to Build Your Helmet

#### Step 1: Specify base model:

Base model includes FYR-Glass shell, 2-piece padded brow comfort cap and ratchet, 6-point suspension with 6 depth adjustments, aramid liner cap, postman slide chinstrap, APEC 4" x .110" faceshield, 5 line Reflexite® bars, and hang-up loop

#### Step 2: Select required components:

- Choose optional chinstraps
- Choose optional ear covers
- Choose optional eye/face protection
- Choose optional retroreflective trim pattern/packages

#### Step 3: Select options:

- Choose accessories
- Choose front
- Auxiliary helmet products
- Choose shell color: B–Black, W–White, R–Red, Y–Yellow, O–Orange, U–Blue, G–Green

NEW

Lite Force LR Low Rider Base Models:		Price	GSA Code
HT-LFL-HDO	Head Only Protection	\$ 279.54	633-30
HT-LFL-BPR	Bloodborne Pathogen Resistant requires moisture barrier-backed ear covers and faceshield	\$ 290.94	633-30

Lite Force Plus Base Models:		Price	GSA Code
<b>Base model:</b> Lite Force Plus FYR-Glass helmet with 8-point padded ratchet suspension and hang-up loop			
HT-LF2-HDO	Lite Force Plus HDO	\$ 291.57	633-30
HT-LF2-BPR	Lite Force Plus BPR	\$ 302.97	633-30

### Lite Force LR Low Rider Helmet Examples:

Part No.	Item	HDO Price	BPR Price	GSA Code
HT-LFL	Lite Force LR Low Rider FYR-Glass shell with 6-point padded patchet suspension and hang-up loop	\$ 150.65	\$ 150.65	633-30

### Required Components

Part No.	Item	HDO Price	BPR Price	GSA Code
HP-CDB-2007	<b>Standard</b> Nomex® Quick Release Postman Slide Chinstrap	\$ 21.99	\$ 21.99	633-30
HP-F40-2007	<b>Standard BPR</b> Yellow Nomex®/Moisture Barrier/FR Cotton Ear Cover	-	\$ 35.55	633-30
HP-F50-2007	<b>Standard HDO</b> Yellow Nomex® 2-Layers FR Cotton Ear Cover	\$ 24.15	-	633-30
HP-E110	<b>Standard</b> 4" x .110 Clear Hi-Temp Faceshield	\$ 71.93	\$ 71.93	633-30
HP-R12	<b>Standard LR Low Rider</b> headband ratchet cover	\$ 7.55	\$ 7.55	633-30
HL-LRBL	<b>Standard</b> Reflexite® Bars - Lime - 5	\$ 3.27	\$ 3.27	633-30
<b>Totals</b>		\$ 279.54	\$ 290.94	633-30

## REQUIRED COMPONENTS

Part No.	Item	Price	GSA Code
<b>Chinstrap Choices</b>			
HP-CDB-2007	<b>Standard</b> Nomex® quick-release postman slide	\$ 21.99	633-30
HP-CMW-2007	Nomex® Milwaukee chinstrap	\$ 11.99	633-30
HP-CN4-2007	Nomex® 4-pt. quick-release chinstrap	\$ 27.32	633-30
HP-CMM-2007	Maskmate™ Nomex® FR cotton*	\$ 49.75	633-30
HP-CMM1-2007	Maskmate™ Pbi™ FR cotton*	\$ 60.04	633-30

\*Ear cover included

### Ear Cover Choices

Part No.	Item	Price	GSA Code
HP-F40-2007	<b>Standard BPR</b> yellow Nomex® moisture barrier FR cotton	\$ 35.55	633-30
HP-F50-2007	<b>Standard HDO</b> yellow Nomex® 2-layer FR cotton	\$ 24.15	633-30
HP-F42-2007	Bronze Pbi™ moisture barrier FR cotton – BPR	\$ 50.21	633-30
HP-F52-2007	Bronze Pbi™ 2-Layer FR cotton – HDO	\$ 39.85	633-30
HP-F60-2007	Yellow Nomex® FR cotton Canadian ear cover w/Nomex chinstrap	\$ 41.72	633-30

(Other outer shells, moisture barriers and colors also available)

Part No.	Item	Price	GSA Code
<b>Eye and Face Protection Choices</b>			
HP-E110	<b>Standard</b> 4" x .110" clear hi-temp (APEC)	\$ 71.93	633-30
HP-E150	4" x .150" clear hi-temp (APEC)	\$ 75.42	633-30
HP-E130	6" x .130" clear hi-temp (APEC)	\$ 77.99	633-30
HP-E150DS	4" x .150" amber hi-temp Dura-Shield	\$ 82.86	633-30
HP-E30	Paulson NFPA 1971 goggles	\$ 81.36	633-30
HP-E20	ESS NFPA 1971 goggles	\$ 75.08	633-30
HP-E22	ESS NFPA 1971 2-strap quick-attach goggles	\$ 79.27	633-30
HP-EEZNFPA LF	NFPA 1971 certified EZ-Flips	\$ 105.29	633-30
HP-EEZANSI LF	ANSI Z87.1 and NFPA 1971 certified EZ-Flips	\$ 121.84	633-30

### Headband Ratchet Covers

Part No.	Item	Price	GSA Code
HP-RLR	One-piece leather brow comfort cap and ratchet cover (Plus only)	\$ 49.37	633-30
HP-RLR-12	Leather headband and ratchet cover (Low Rider)	\$ 37.90	633-30
HP-R01	Plus headband ratchet cover	\$ 8.46	633-30

**STRUCTURAL HELMETS – MODERN – LITE FORCE LR LOW RIDER & LITE FORCE PLUS (continued)**

**REQUIRED COMPONENTS continued**

Part No.	Item	Price	GSA Code
<b>Reflective Trim Pattern/Package</b>			
<b>1" x 4" Bars</b>			
HL-LRBL	Standard Reflexite® 1" x 4" bars – lime – 5	\$ 3.27	633-30
HL-LSBL	3M™ Scotchlite™ 1" x 4" bars – lime – 5	\$ 9.37	633-30
<b>Trapezoids</b>			
HL-LRTL	Reflexite® Lime - 10	\$ 3.75	633-30
HL-LSTL	3M™ Scotchlite™ solid lime - 10	\$ 18.48	633-30
HL-LSTO	3M™ Scotchlite™ solid orange – 10	\$ 18.48	633-30

Part No.	Item	Price	GSA Code
<b>Trapezoids continued</b>			
HL-LTTL	3M™ Scotchlite™ 2-tone lime – 10	\$ 18.48	633-30
HL-LTTO	3M™ Scotchlite™ 2-tone orange – 10	\$ 18.48	633-30
<b>Parallelograms</b>			
HL-LRPL	Reflexite® lime – 6	\$ 8.91	633-30
HL-LSPL	3M™ Scotchlite™ solid lime – 6	\$ 11.78	633-30
HL-LSPO	3M™ Scotchlite™ solid orange – 6	\$ 11.78	633-30
HL-LTPL	3M™ Scotchlite™ 2-tone lime – 6	\$ 17.68	633-30
HL-LTPO	3M™ Scotchlite™ 2-tone orange – 6	\$ 17.68	633-30

**OPTIONAL ACCESSORIES**

Part No.	Item	Price	GSA Code
<b>Custom Faceshield Logo Decals</b>			
HL-CRIS	1 1/2" custom faceshield logo decal that covers Morning Pride logo on left side of black end cover. Customer provided art, black ink only. Must add set-up charge (HF-IC).	\$ 16.14	633-30
HL-CRIL	2" Multicolor decal	\$ 16.95	633-30
HF-IC	Plus set-up charge per run (No discount)	\$ 61.02	633-30

Part No.	Item	Price	GSA Code
<b>Goggle Garage</b>			
HP-GG	Goggle Garage - Black Nomex® with Reflexite® lime trim. Call if other than listed materials are desired.	\$ 35.08	633-30

**OPTIONAL FRONTS**

Part No.	Item	Price	GSA Code
<b>Passport/Accountability Leather Fronts</b>			
HF-PS2	Truck Style 3M™ Scotchlite™ rank rocker and large letters/numbers.	\$ 46.07	633-30
HF-PS2V	Velcro® only (Pile)	\$ 3.65	633-30
HF-RBLS	Extra 1/2" Truck Style bottom lettering Note: Center letters/numbers will be 1" when this lettering is added to the front.	\$ 10.40	633-30
HF-DAYTON	2-piece leather front with 2 cut-outs. Non-reflective vinyl lettering.	\$ 31.29	633-30
<b>Multicolor Integral Option for Fronts (Customer provides art)</b>			
HL-CRIS	Multicolor integral decal* 1 1/2". Plus cost of Front. Must add set-up charge (HF-IC).	\$ 16.14	633-30
HL-CRIL	2" Multicolor decal	\$ 16.95	633-30
HF-IC	Plus set-up charge per run (No discount)	\$ 61.02	633-30

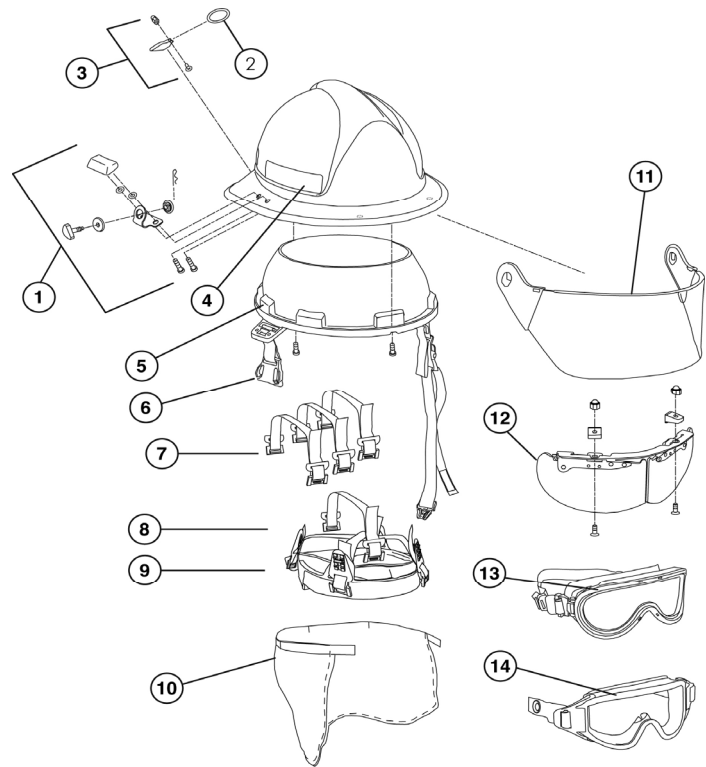
Part No.	Item	Price	GSA Code
<b>Scotchlite® Reflective Fronts (Garment Style)</b>			
HF-SFRONT	Please specify rank and color	\$ 7.87	633-30
HF-SMCL	Maltese Cross 3" – Specify color and no. of bugles or tools of trade	\$ 7.31	633-30
HF-SMCS	Maltese Cross 2" – Specify color and no. of bugles or tools of trade	\$ 6.25	633-30
HF-SOL2	Star of Life 2"	\$ 5.63	633-30
HF-SOL3	Star of life 3"	\$ 5.87	633-30
<b>Reflexite® Reflective Fronts</b>			
HF-RSOL2	2" Star of Life	\$ 7.59	633-30
HF-RSOL3	3" Star of Life	\$ 9.05	633-30

\*These logos can be applied to L.A. County, Houston, or Truck leather fronts at no extra charge. \*Customer must provide artwork/patch.

**STRUCTURAL HELMETS – MODERN – LITE FORCE LR LOW RIDER & LITE FORCE PLUS (continued)**

**2007 EDITION REPLACEMENT PARTS**

No.	Part No.	Item	Price	GSA Code
1	HR-FSGABL	Faceshield bracket kit	\$ 20.40	633-30
2	HR-H04	D-ring hang-up loop only (gold anodized)	\$ 2.86	633-30
3	HR-H05	D-ring bracket mounting clip (gold anodized) with hardware to attach	\$ 3.67	633-30
4	HL-LRBL	<b>Standard</b> -- Reflexite® 1" x 4" bars – lime– 5	\$ 3.27	633-30
5	HR-SUSL-2007	Suspension ring	\$ 13.93	633-30
6	HP-CDB-2007	<b>Standard</b> Nomex® quick-release postman slide chinstrap	\$ 21.99	633-30
7	HR-H22	Lite Force Plus 3-strap kit	\$ 5.39	633-30
8	HR-SSL-12	LR Low Rider headband suspension kit w/3 straps	\$ 32.50	633-30
9	HR-SSL-2007	Lite Force Plus ratchet headband suspension kit includes 3 straps	\$ 40.48	633-30
10	HP-F50-2007	<b>Standard HDO</b> yellow Nomex® 2-layer FR cotton ear cover	\$ 24.15	633-30
11	HR-E110	<b>Standard</b> – 4" x .110" clear hi-temp (APEC) faceshield	\$ 71.93	633-30
12	HP-EEZNFPA LF	NFPA 1971 certified EZ-Flips	\$ 105.29	633-30
13	HP-E30	Paulson NFPA 1971 goggles	\$ 81.36	633-30
14	HP-E22	ESS NFPA 1971 quick-attach goggles	\$ 79.27	633-30



**Additional 2007 Edition Replacement Parts**

HR-H21	Screw plates (when switching from faceshield to goggles or EZ-Flips)	\$ 4.59	633-30
HR-EBKLF	Edge beading kit	\$ 29.89	633-30
HR-E150	4" x .150" clear hi-temp (APEC) faceshield	\$ 75.42	633-30
HR-E130	6" x .130" clear hi-temp (APEC) faceshield	\$ 77.99	633-30
HR-E150DS	4" x .150" amber hi-temp Dura-shield	\$ 82.86	633-30
HR-E301	Paulson goggle strap assembly	\$ 15.32	633-30
HR-E302	Paulson goggle lenses	\$ 34.00	633-30
HR-E201	ESS goggle strap assembly	\$ 39.11	633-30
HR-E202	ESS goggle lenses	\$ 41.35	633-30
HP-WLB4	Aramid liner cap	\$ 9.00	633-30

**2000 Edition Plus Replacement Parts\***

Part No.	Item	Price	GSA Code
HR-SSL	Ratchet headband suspension	\$ 40.48	633-30
HP-CDB	Chinstrap double buckle	\$ 19.83	633-30

\*These items are compatible with 2007 Edition helmets.

## PROXIMITY HELMETS – TRADITIONAL AND MODERN

NFPA 1971 NFPA 1971, 2007 Edition Certified



**NEW LOW RIDER**

**NEW**

Ben 2 and Lite Force LR Low Rider Base Models:	Price	GSA Code
HT-BFL-PROX – Ben 2 w/6-point padded suspension	\$ 691.05	633-30A
HT-LFL-PROX – Lite Force w/6-point padded suspension	\$ 678.98	633-30A

Ben 2 and Lite Force Plus Base Models:	Price	GSA Code
HT-BF2-PROX – Ben 2 w/8-point padded suspension	\$ 730.78	633-30A
HT-LF2-PROX – Lite Force w/8-point padded suspension	\$ 711.93	633-30A

All models inherently provide bloodborne pathogen resistant level of protection

### LR Low Rider Helmet Examples:

Part No.	Item	Traditional		Modern	
		Price	Price	Price	GSA Code
HT-BFL-PROX	Ben 2 LR Low Rider FYR-Glass shell, aluminized helmet cover, 6-point padded suspension and hang-up loop	\$ 304.26	-		633-30A
HT-LFL-PROX	Lite Force LR Low Rider FYR-Glass shell, aluminized helmet cover, 6-point padded suspension and hang-up loop		\$ 292.19		633-30A

### Required Components

Part No.	Item	Price	Price	GSA Code
HP-CDB-2007	<b>Standard</b> Nomex® quick-release postman slide chinstrap	\$ 21.99	\$ 21.99	633-30
HP-PEF-2007	<b>Standard Shroud</b> traditional	\$ 132.71	132.71	633-30A
HP-E130 GC	<b>Standard</b> 6" x .130" gold coat faceshield	\$ 224.54	\$ 224.54	633-30A
HP-R12	<b>Standard LR Low Rider</b> headband ratchet cover	\$ 7.55	\$ 7.55	633-30A
<b>Totals</b>		\$ 691.05	\$ 678.98	633-30A

### How to Build Your Helmet

#### Step 1: Specify base model:

Traditional or Modern – Base model includes FYR-Glass shell, 2-piece padded brow comfort cap and ratchet, 6-point suspension with 6 depth adjustments, postman slide chinstrap, 6" x .130" gold coat faceshield, hang-up loop and aluminized helmet cover and shroud

#### Step 2: Select required components:

- Choose optional chinstrap
- Choose optional shroud
- Choose optional headband ratchet cover

**Shell Colors:** B–Black, W–White, R–Red, Y–Yellow, O–Orange, U–Blue, G–Green

Shell color must be specified. If no shell color is specified, we assume color matching is not an issue and will ship the shell color(s) of our choice.

## REQUIRED COMPONENTS

Part No.	Item	Price	GSA Code
<b>Chinstrap Choices</b>			
HP-CDB-2007	<b>Standard</b> Nomex® quick-release postman slide	\$ 21.99	633-30
HP-CMW-2007	Nomex® Milwaukee chinstrap	\$ 11.99	633-30
<b>Eye and Face Protection Choices</b>			
HP-E130GC	Standard 6" x .130" gold coat faceshield	\$ 244.54	633-30A
<b>Helmet Covers</b>			
HP-PHCB	Proximity helmet aluminized Pbi™ cover for traditional	\$ 115.01	633-30A
HP-PHCL	Proximity helmet aluminized Pbi™ cover for modern	\$ 93.35	633-30A

Part No.	Item	Price	GSA Code
<b>Shroud Choices</b>			
HP-PEF-2007	<b>Standard</b> shroud	\$ 132.71	633-30A
HP-PJFMIL	J-Fire shroud – GSA only	\$ 537.15	633-30A
HP-PHCSB	Combo shroud – Traditional	\$ 333.65	633-30A
HP-PHCSL	Combo Shroud – Modern	\$ 312.41	633-30A
<b>Headband Ratchet Covers</b>			
HP-RLR	One-piece leather brow comfort cap and ratchet cover (Plus only)	\$ 49.37	633-30
HP-RLR-12	Leather headband and ratchet cover (Low Rider)	\$ 37.90	633-30
HP-R01	Plus headband ratchet cover	\$ 8.46	633-30

**PROXIMITY HELMETS – TRADITIONAL AND MODERN (continued)**

**OPTIONAL ACCESSORIES**

Part No.	Item	Price	GSA Code
<b>Custom Faceshield Logo Decals</b>			
HL-CRIS	1 1/2" custom faceshield logo decal that covers Morning Pride logo on left side of black end cover. Customer provided art, black ink only. Must add set-up charge (HF-IC).	\$ 16.14	633-30
HL-CRIL	2" Multicolor decal	\$ 16.95	633-30
HF-IC	Plus set-up charge per run (No discount)	\$ 61.02	633-30

Part No.	Item	Price	GSA Code
<b>Flannel Protective Faceshield Cover</b>			
HP-PFSC	Flannel protective faceshield cover	\$ 13.12	633-30

**ALUMINIZED PRODUCTS: CLEANING AND CARE INSTRUCTIONS**

**FOR PROXIMITY WARRANTY: Recap**

Gentex is the only manufacturer of third party certified Aluminized shell material. As the Manufacturer of the fabric they have chosen to exercise their right granted in NFPA 1851 to define how their product is cleaned and warranted. They are now limiting their warranty to 12 months from the date of manufacturer, even when following their exact cleaning and storage guidelines\*, and then the warranty only covers the actual cost of the material excluding manufacturing costs.

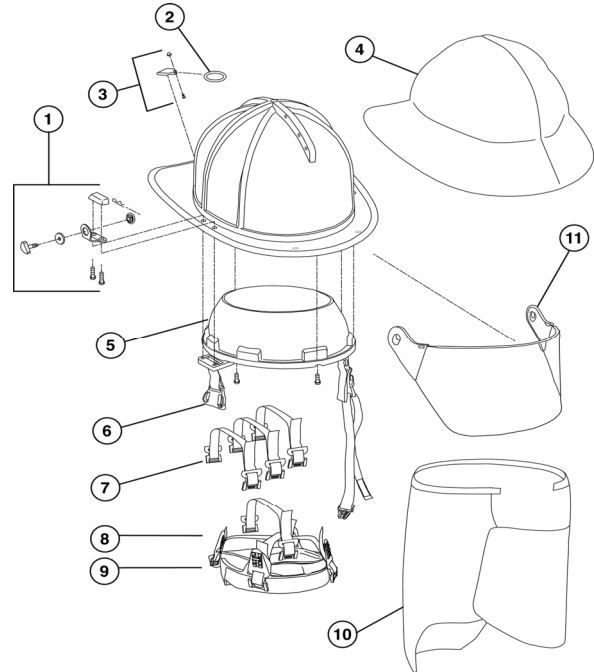
\* Clean only with a soft cloth or sponge and mild soap. Rinse thoroughly. DO NOT MACHINE WASH. Dry by hanging in a well ventilated shaded area. Use a fan to circulate the air. Do not store when wet or with any chemical contamination. Do Not clean with any compounds containing ammonia, chlorine, other oxidizing or abrasive agents. Never store folded.

DuPont™ and Kevlar® are trademarks or registered trademarks of E.I. du Pont de Nemours and Company.

**PROXIMITY HELMETS – TRADITIONAL AND MODERN (continued)**

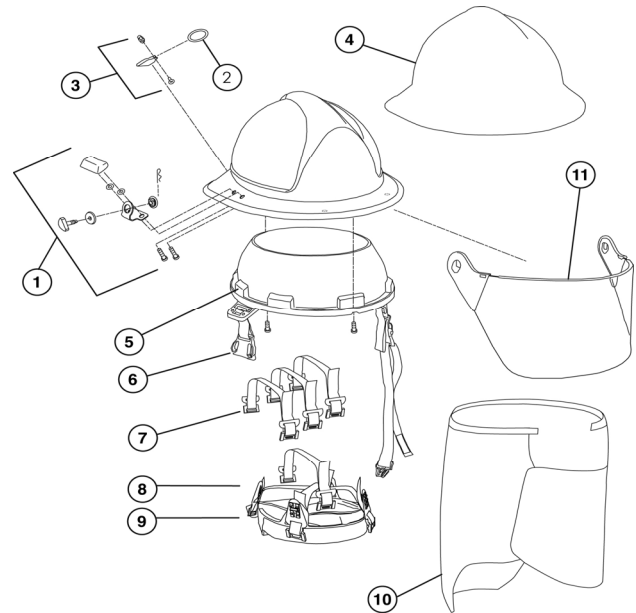
**BEN 2 2007 EDITION REPLACEMENT PARTS**

No.	Part No.	Item	Price	GSA Code
1	HR-FSGABB	Faceshield bracket kit	\$ 20.40	633-30
2	HR-H04	D-ring hang-up loop only (gold anodized)	\$ 2.86	633-30A
3	HR-H05	D-ring bracket mounting clip (gold anodized) with hardware to attach	\$ 3.67	633-30
4	HP-PHCB	Aluminized Pbi™ cover	\$ 115.01	633-30A
5	HR-SUSB-2007	Suspension ring	\$ 13.93	633-30
6	HP-CDB-2007	Standard Nomex® quick-release postman slide chinstrap	\$ 21.99	633-30
7	HR-H23	Ben 2 Plus 3 strap kit	\$ 5.41	633-30
8	HR-SSB-12	LR Low Rider headband suspension kit w/3 straps	\$ 32.50	633-30
9	HR-SSB-2007	Ben 2 Plus headband suspension kit includes 3 straps	\$ 40.48	633-30
10	HP-PEF-2007	Standard shroud	\$ 132.71	633-30A
11	HR-E130GC	Standard -- 6" x .130" gold coat faceshield	\$ 244.54	633-30A
	HP-WLB4	Aramid liner cap	\$ 9.00	633-30
	HR-EBKBN	Edge beading kit	\$ 29.92	633-30



**LITE FORCE 2007 EDITION REPLACEMENT PARTS**

No.	Part No.	Item	Price	GSA Code
1	HR-FSGABL	Faceshield bracket kit	\$ 20.40	633-30
2	HR-H04	D-ring hang-up loop only (gold anodized)	\$ 2.86	633-30
3	HR-H05	D-ring bracket mounting clip (gold anodized) with hardware to attach	\$ 3.67	633-30
4	HP-PHCL	Aluminized Pbi™ cover	\$ 93.35	633-30A
5	HR-SUSL-2007	Suspension ring	\$ 13.93	633-30
6	HP-CDB-2007	Standard Nomex® quick-release postman slide chinstrap	\$ 21.99	633-30
7	HR-H22	Lite Force Plus 3 strap kit	\$ 5.39	633-30
8	HR-SSL-12	LR Low Rider headband suspension kit w/3 straps	\$ 32.50	633-30
9	HR-SSL-2007	Lite Force Plus headband suspension kit includes 3 straps	\$ 40.48	633-30
10	HP-PEF-2007	Standard shroud	\$ 132.71	633-30A
11	HR-E130GC	Standard -- 6" x .130" gold coat faceshield	\$ 244.54	633-30A
	HP-WLB4	Aramid liner cap	\$ 9.00	633-30
	HR-EBKLF	Edge beading kit	\$ 29.89	633-30



**2000 Edition Ben 2 Plus and Lite Force Plus Proximity Replacement Parts**

	HR-SSB	Ratchet headband suspension Ben 2 Plus	\$ 40.48	633-30
	HR-SSL	Ratchet headband suspension Lite Force	\$ 40.48	633-30
	HR-SUSB-2007	Suspension ring	\$ 13.93	633-30
	HP-CDB-2007	Chinstrap double buckle	\$ 21.99	633-30
	HP-WLB4	Aramid liner cap	\$ 9.00	633-30

## TECHNICAL RESCUE AND RECOVERY/UTILITY HELMETS – HEAVY DUTY



NFPA 1951 Edition Certified

	Price	GSA Code
<b>Standard Model: HT-UHD</b>	\$ 208.01	567-99

### Standard Helmet Example:

Part No.	Item	Price	GSA Code
HT-UHD	Technical Rescue and Recovery/Utility Heavy DutyFYR-Glass shell with 8-point ratchet suspension	\$ 177.15	633-30

### Required Components

Part No.	Item	Price	GSA Code
HP-CDB	<b>Standard</b> Nomex® quick-release postman slide chinstrap	\$ 19.83	633-30
HP-R01	<b>Standard</b> headband ratchet cover	\$ 8.46	633-30
HL-URBL	<b>Standard</b> Reflexite® 1" x 4" bars – lime – 4	\$ 2.57	633-30
<b>Total</b>		<b>\$ 208.01</b>	<b>633-30</b>

### How to Build Your Helmet

#### Step 1: Specify base model:

Base model includes FYR-Glass shell, 2-piece padded brow comfort cap and ratchet, 6-point suspension with 6 depth adjustments, aramid liner cap, postman slide chinstrap, 4 line Reflexite® bars

#### Step 2: Select required components:

- Choose optional chinstraps
- Choose optional ear covers
- Choose optional eye/face protection
- Choose optional retroreflective trim pattern/packages

#### Step 3: Select options:

- Choose accessories
- Choose front
- Auxiliary helmet products
- Choose shell color: B–Black, W–White, R–Red, Y–Yellow, O–Orange, U–Blue, G–Green

## REQUIRED COMPONENTS

Part No.	Item	Price	GSA Code
<b>Chinstrap Choices</b>			
HP-CDB	<b>Standard</b> Nomex® quick-release postman slide chinstrap	\$ 19.83	633-30
HP-CMW	Nomex® Milwaukee chinstrap	\$ 11.25	633-30
HP-CN4	Nomex® 4-pt. quick-release chinstrap	\$ 27.32	567-99

### Headband Ratchet Covers

Part No.	Item	Price	GSA Code
HP-RLR	One-piece leather brow comfort cap and ratchet cover (Plus only)	\$ 49.37	633-30
HP-RLR-12	Leather headband and ratchet cover (Low Rider)	\$ 37.90	633-30

### Reflective Trim Pattern/Package

#### 1" x 4" Bars

Part No.	Item	Price	GSA Code
HL-URBL	<b>Standard</b> Reflexite® 1" x 4" bars – lime – 4	\$ 2.57	633-30
HL-USBL	3M™ Scotchlite™ 1" x 4" bars – lime – 4	\$ 7.50	633-30

Part No.	Item	Price	GSA Code
<b>Trapezoids</b>			
HL-LRTL	Reflexite® lime – 10	\$ 3.75	633-30
HL-LSTL	3M™ Scotchlite™ solid lime – 10	\$ 18.48	633-30
HL-LSTO	3M™ Scotchlite™ solid orange – 10	\$ 18.48	633-30
HL-LTTL	3M™ Scotchlite™ 2-tone lime – 10	\$ 18.48	633-30
HL-LTTO	3M™ Scotchlite™ 2-tone orange – 10	\$ 18.48	633-30

### Parallelograms

Part No.	Item	Price	GSA Code
HL-LRPL	Reflexite® lime – 6	\$ 8.91	633-30
HL-LSPL	3M™ Scotchlite™ solid lime – 6	\$ 11.78	633-30
HL-LSPO	3M™ Scotchlite™ solid orange – 6	\$ 11.78	633-30
HL-LTPL	3M™ Scotchlite™ 2-tone lime – 6	\$ 17.68	633-30
HL-LTPO	3M™ Scotchlite™ 2-tTone orange - 6	\$ 17.68	633-30



**TECHNICAL RESCUE AND RECOVERY/UTILITY HELMETS – HEAVY DUTY (continued)**

**OPTIONAL ACCESSORIES**

Part No.	Item	Price	GSA Code
<b>Ear Cover Choices</b>			
HP-F40-2007	Yellow Nomex® moisture barrier FR cotton	\$ 35.55	633-30
HP-F50-2007	Yellow Nomex® 2-layer FR cotton	\$ 24.15	633-30
HP-F42-2007	Bronze Pbi™ moisture barrier FR cotton – BPR	\$ 50.21	633-30
HP-F52-2007	Bronze Pbi™ 2-layer FR cotton – HDO	\$ 39.85	633-30
HP-F60-2007	Yellow Nomex® FR cotton Canadian ear cover w/Nomex chinstrap	\$ 41.72	633-30

(Other outer shells, moisture barriers and colors also available)

<b>Eye and Face Protection Choices</b>			
HP-E110	Standard 4" x .110" clear hi-temp (APEC)	\$ 71.93	633-30
HP-E130	6" x .130" hi-temp clear (APEC)	\$ 77.99	633-30
HP-E150	4" x .150" clear hi-temp (APEC)	\$ 75.42	633-30
HP-E150DS	4" x .150" amber hi-temp Dura-Shield	\$ 82.86	633-30
HP-E32	Paulson NFPA 1977 goggles	\$ 50.53	633-30
HP-E25	ESS NFPA 1977 goggles	\$ 66.36	633-30
HP-E26	ESS NFPA 1977 goggles with padding	\$ 73.11	633-30
HP-E29	ESS NFPA 1977 quick-attach goggles	\$ 79.74	633-30

Part No.	Item	Price	GSA Code
<b>Eye and Face Protection Choices <i>continued</i></b>			
HP-EEZNFPA LF	NFPA 1971 certified EZ-Flips	\$ 105.29	633-30
HP-EEZANSI LF	ANSI Z87.1 and NFPA 1971 certified EZ-Flips	\$ 121.84	633-30

<b>Custom Faceshield Logo Decals</b>			
HL-CRIS	1 1/2" custom faceshield logo decal that covers Morning Pride logo on left side of black end cover. Customer provided art, black ink only. Must add set-up charge (HF-IC).	\$ 16.14	633-30
HL-CRIL	2" Multicolor decal	\$ 16.95	633-30
HF-IC	Plus set-up charge per run (No discount)	\$ 61.02	633-30

<b>Goggle Garage</b>			
HP-GG	Goggle Garage – Black Nomex® with lime Reflexite® trim	\$ 35.08	633-30

Call if other than listed materials are desired.

**OPTIONAL FRONTS**

Part No.	Item	Price	GSA Code
<b>Passport/Accountability Leather Fronts</b>			
HF-PS2	Truck Style 3M™ Scotchlite™ rank rocker and large letters/numbers.	\$ 46.07	633-30
HF-PS2V	Velcro® only (pile)	\$ 3.65	633-30
HF-RBLS	Extra 1/2" Truck Style bottom lettering Note: Center letters/numbers will be 1" when this lettering is added to the front.	\$ 10.40	633-30
HF-DAYTON	2-piece leather front with 2 cut-outs. Non-reflective vinyl lettering.	\$ 31.29	633-30
<b>Multicolor Integral Option for Fronts (Customer Provides Art)</b>			
HL-CRIS	Multicolor integral decal* 1 1/2". Plus cost of front. Must add set-up charge (HF-IC).	\$ 16.14	633-30
HL-CRIL	2" Multicolor decal	\$ 16.95	633-30
HF-IC	Plus set-up charge per run (No discount)	\$ 61.02	633-30

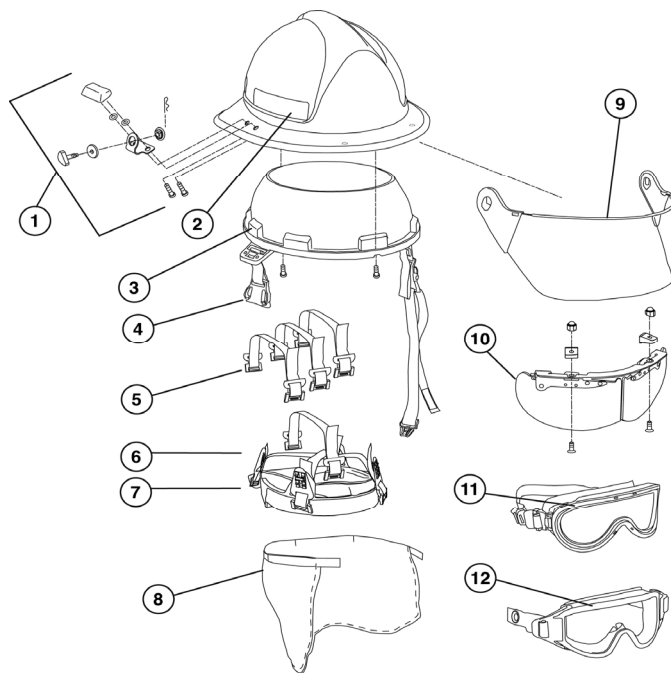
Part No.	Item	Price	GSA Code
<b>Scotchlite® Reflective Fronts (Garment Style)</b>			
HF-SFRONT	Please specify rank and color	\$ 7.87	633-30
HF-SMCL	Maltese Cross 3" – Specify color and no. of bugles or tools of trade	\$ 7.31	633-30
HF-SMCS	Maltese Cross 2" – Specify color and no. of bugles or tools of trade	\$ 6.25	633-30
HF-SOL2	Star of Life 2"	\$ 5.63	633-30
HF-SOL3	Star of life 3"	\$ 5.87	633-30
<b>Reflexite® Reflective Fronts</b>			
HF-RSOL2	2" Star of Life	\$ 7.59	633-30
HF-RSOL3	3" Star of Life	\$ 9.05	633-30

\*These logos can be applied to L.A. County, Houston, or Truck leather fronts at no extra charge. \*Customer must provide artwork/patch.

## TECHNICAL RESCUE AND RECOVERY/UTILITY HELMETS – HEAVY DUTY

### 2007 EDITION REPLACEMENT PARTS

No.	Part No.	Item	Price	GSA Code
1	HR-FSGABL	Faceshield bracket kit	\$ 20.40	633-30
2	HL-URBL	<b>Standard</b> -- Reflexite® 1" x 4" bars – lime – 4	\$ 2.57	633-30
3	HR-SUSU	Suspension ring	\$ 6.45	633-30
4	HP-CDB	<b>Standard</b> Nomex® quick-release postman slide chinstrap	\$ 19.83	633-30
5	HR-H22	3 strap kit	\$ 5.39	633-30
6	HR-SSL12	LR Low Rider headband suspension kit	\$ 32.50	633-30
7	HR-SSL-2007	Ratchet headband suspension kit includes straps	\$ 40.48	633-30
8	HP-F50-2007	Yellow Nomex® 2-layer FR cotton ear cover	\$ 24.15	633-30
9	HR-E110	4" x .110" clear hi-temp (APEC) faceshield	\$ 65.92	633-30
10	HP-EEZNFPA LF	NFPA 1971 certified EZ-Flips	\$ 105.29	633-30
11	HP-E30	Paulson NFPA 1971 goggles	\$ 81.36	633-30
12	HP-E22	ESS NFPA 1971 quick-attach goggles	\$ 79.27	633-30



#### Additional 2007 Edition Technical Rescue and Recovery/Utility Replacement Parts

Part No.	Item	Price	GSA Code
HR-H21	Screw Plates (when Switching from Faceshield to goggles or EZ-Flips)	\$ 4.59	633-30
HR-EBKLF	Edge beading kit	\$ 29.89	633-30
HR-E150	4" x .150" clear hi-temp (APEC) faceshield	\$ 74.21	633-30
HP-WLB4	Aramid liner cap	\$ 9.00	633-30

Part No.	Item	Price	GSA Code
HR-E130	6" x .130" clear hi-temp (APEC) faceshield	\$ 72.13	633-30
HR-E150DS	4" x .150" amber hi-temp Dura-shield	\$ 76.84	633-30
HR-E301	Paulson goggle strap assembly	\$ 15.32	633-30
HR-E302	Paulson goggle lenses	\$ 34.00	633-30
HR-E201	ESS goggle strap assembly	\$ 39.11	633-30
HR-E202	ESS goggle lenses	\$ 41.35	633-30

## TECHNICAL RESCUE AND RECOVERY/UTILITY LIGHTWEIGHT HELMETS WILDLAND HELMETS – EMS HELMETS

### Technical Rescue and Recovery/Utility Front Brim

Standard Model:		GSA Code
HT-US	\$ 102.05	567-99

(Price includes HP-CL2 chinstrap)

NFPA 1951, 2007 Edition certified



### Technical Rescue and Recovery/Utility Full Brim

Standard Model:		GSA Code
HT-UF	\$ 106.70	567-99

(Price includes HP-CL2 chinstrap)

NFPA 1951, 2007 Edition certified



### Wildland Front Brim

Standard Model:		GSA Code
HT-WS	\$ 77.85	633-43

(Price includes HP-CL2 chinstrap)

NFPA 1977, 2005 Edition certified



### Wildland Full Brim

Standard Model:		GSA Code
HT-WFS	\$ 82.41	633-43

(Price includes HP-CL2 chinstrap)

NFPA 1977, 2005 Edition certified



### EMS Front Brim

Standard Model:		GSA Code
HT-ES	\$ 18.54	633-47

ANSI Z89.1-1997, Type 1, Class E

All Technical Rescue and Recovery/Utility Lightweight, Wildland and EMS helmets, no assembly required on standard products.



### How to Build Your Helmet:

#### Step 1: Specify Base model:

#### Technical Rescue and Recovery/Utility Front or Full Brim

Base model includes Thermo-FYR shell, 6-point padded headband ratchet suspension, quick-release chinstrap, goggle clips, 3 headlamp retention clips and 4 lime Reflexite® bars

#### Wildland Full or Front Brim

Base model includes Thermo-FYR shell, 6-point padded headband ratchet suspension, quick-release chinstrap, goggle clips, 3 headlamp retention clips and 4 lime Reflexite® bars

#### EMS

Base model includes Poly-Med shell, 4-point headband ratchet suspension

#### Step 2: Select required components:

- Choose optional chinstrap

#### Step 3: Select options:

- Choose EMS chinstrap
- Choose ear/hearing protection
- Choose ear cover or shroud
- Choose standard or leather headband ratchet cover
- Choose EMS retroreflective trim pattern
- Choose winter liner
- Choose fronts
- Choose auxiliary products

### Standard Wildland Helmet Example:

Part No.	Item	Price	GSA Code
HT-WFS	Wildland Full Brim Thermo-FYR shell with 6-point ratchet suspension, goggle clips, 3 headlamp retention clips and 4 – 1" x 4" lime Reflexite® bars	\$ 68.21	633-43

#### Required Components

Part No.	Item	Price	GSA Code
HP-CL2	Standard Nomex® Quick Release Chinstrap	\$ 14.20	633-30
<b>Total</b>		<b>\$ 82.41</b>	<b>633-30</b>

Shell Colors: W–White, R–Red, Y–Yellow, O–Orange, U–Blue

## REQUIRED COMPONENTS

### Chinstrap Choices – Technical Rescue and Recovery/Utility and Wildland

Part No.	Item	Price	GSA Code
HP-CL2	Standard – Nomex® quick-release chinstrap	\$ 14.20	633-30
HP-CL4	Nomex® 4-point with quick-release chinstrap	\$ 27.70	633-30

**TECHNICAL RESCUE AND RECOVERY/UTILITY LIGHTWEIGHT HELMETS (continued)  
WILDLAND HELMETS – EMS HELMETS**

**OPTIONAL ACCESSORIES**

Part No.	Item	Price	GSA Code
<b>Chinstrap Choices (EMS Only)</b>			
HP-CE4	Polypropylene 2/4-point quick release chinstrap	\$ 8.38	633-47

<b>Ear/Hearing Protection Choices</b>			
HP-M40	Front Brim muffs	\$ 29.91	633-43
HP-M45	Full Brim muffs	\$ 40.29	633-43

<b>Ear Cover Choices (EMS Only)</b>			
HP-F64	Nylon Crosstech® EMS	\$ 21.40	633-43

<b>Ear Cover Choices</b> (Technical Rescue/Utility Lightweight and Wildland Only)			
HP-F66	Yellow Nomex® FR cotton	\$ 17.41	633-30
HP-F68	Yellow Nomex® FR cotton NFPA 1977 face/neck shroud (Other outer shells and colors available)	\$ 41.25	633-30

<b>Eye and Face Protection Choices</b>			
HP-E32	Paulson NFPA 1977 goggles	\$ 50.53	633-30
HP-E25	ESS NFPA 1977 goggles	\$ 66.36	633-30
HP-E26	ESS NFPA 1977 goggles with Padding	\$ 73.11	633-30

Part No.	Item	Price	GSA Code
<b>Eye and Face Protection Choices continued</b>			
HP-E28	ESS NFPA 1977 quick-attach goggles w/padding	\$ 79.53	633-30
HP-E70	7" mesh screen visor <u>Bracket required</u>	\$ 9.17	633-30
HP-E75	6" x .060" poly carb visor <u>Bracket required</u>	\$ 45.30	633-30
HP-E76S	<u>Required</u> visor bracket for Front Brim helmets	\$ 9.17	633-30
HP-E76F	<u>Required</u> visor bracket for Full Brim helmets	\$ 9.74	633-30

<b>Leather Headband Choice</b>			
HP-RLR1	Leather headband	\$ 36.97	633-30

<b>Reflective Trim Pattern Choice (EMS Only)</b>			
HL-ERBL	Reflexite® 1" X 4" bars lime – 4	\$ 2.67	633-30

<b>Winter Liner Insert</b>			
HP-WLB4	Aramid liner cap	\$ 9.00	633-30

**OPTIONAL FRONTS**

Part No.	Item	Price	GSA Code
<b>Passport/Accountability Leather Fronts</b>			
HF-PS2	Truck Style 3M™ Scotchlite™ rank rocker and large letters/numbers.	\$ 46.07	633-30
HF-PS2V	Velcro® only (pile)	\$ 3.65	633-30
HF-RBLS	Extra 1/2" Truck Style bottom lettering Note: Center letters/numbers will be 1" when this lettering is added to the front.	\$ 10.40	633-30
HF-DAYTON	2-piece leather front with 2 cut-outs. Non-reflective vinyl lettering.	\$ 31.29	633-30

<b>Multicolor Integral Option for Fronts (Customer Provides Art)</b>			
HL-CRIS	Multicolor Integral Decal* 1 1/2". Plus cost of Front. Must add set-up charge (HF-IC).	\$ 16.14	633-30
HL-CRIL	2" Multi-Color Decal	\$ 16.95	633-30
HF-IC	Plus set-up charge per run (No discount)	\$ 61.02	633-30

Part No.	Item	Price	GSA Code
<b>Scotchlite® Reflective Fronts (Garment Style)</b>			
HF-SFRONT	Please specify rank and color	\$ 7.87	633-30
HF-SMCL	Maltese Cross 3" - Specify color and no. of bugles or tools of trade	\$ 7.31	633-30
HF-SMCS	Maltese Cross 2" - Specify color and no. of bugles or tools of trade	\$ 6.25	633-30
HF-SOL2	Star of Life 2"	\$ 5.63	633-30
HF-SOL3	Star of life 3"	\$ 5.87	633-30

<b>Reflexite® Reflective Fronts</b>			
HF-RSOL2	2" Star of Life	\$ 7.59	633-30
HF-RSOL3	3" Star of Life	\$ 9.05	633-30

\*These logos can be applied to L.A. County, Houston, or Truck leather fronts at no extra charge. \*Customer must provide artwork/patch.

**AUXILIARY HELMET PRODUCTS**

Part No.	Item	Price	GSA Code
<b>Metal Circular Rank Insignias</b>			
HL-RIST	Gold or silver tone 1 1/2" rank insignias. Specify rank.	\$ 87.84	633-30

These insignias may be used on all fronts except HF-DAYTON, HF-GLD, HF-MEM, HF-PS2, HF-PS3, HF-PS15, HF-FF and HF-COF.

**Retroreflective Circular Rank Insignias**

Please specify rank. May sub at N/C for center numbers on Traditional fronts (except Basic).

HL-CRIS	1 1/2" size (Specify number of bugles or tools of trade)	\$ 16.14	633-30
HL-CRIL	2" size (Specify number of bugles or tools of trade)	\$ 16.95	633-30

**3M™ Scotchlite™ Truck Style Art Quality Lettering and Numbering**

HL-TR1	11/16" regular letters / numbers	\$ 2.68	633-30
HL-TR4	1" regular letters & numbers	\$ 2.68	633-30
HL-TRB	1 3/4" block cut corners (numbers oNLY) No outline available for cut corner numbers.	\$ 2.68	633-30
HL-TR2	1 3/4" regular letters/numbers	\$ 2.68	633-30
HL-TR3	1 3/4" cut corner outlined	\$ 3.44	633-30

**Reflexite® Reflective Flags**

HL-RUS	3 1/2" U.S. self adhesive	\$ 4.17	633-30
--------	---------------------------	---------	--------

Part No.	Item	Price	GSA Code
<b>3M™ Scotchlite™ Truck Style Retroreflective Flag</b>			
HL-SUS	2 1/2" U.S. self adhesive	\$ 2.68	633-30
HL-SCAN	2 1/2" Canadian self adhesive	\$ 2.68	633-30

**Scotchlite® Garment Style Letter and Numbering Trim Products**

HL-S2	2" size w/pressure sensitive adhesive	\$ 2.14	633-30
HL-S3	3" size w/pressure-sensitive adhesive	\$ 2.14	633-30

**Arched and Straight Title Tapes – 3M™ Scotchlite™**

HL-TRTT	3" Truck-style art quality arched	\$ 18.75	633-30
HL-TRST	3" Truck-style art quality straight	\$ 18.75	633-30
HL-STTS	4" Garment-style arched	\$ 2.94	633-30
HL-STTL	7" Garment-style arched	\$ 5.63	633-30

**3M™ Scotchlite™ Truck Style Flag**

HL-SAF	American Flag for Ben 2 dome	\$ 11.78	633-30
--------	------------------------------	----------	--------

# Helmet Front Specifying Worksheet – All Models

Date: \_\_\_\_\_ Purchase Order: \_\_\_\_\_ Qty: \_\_\_\_\_

Dealer: \_\_\_\_\_ Fire Department: \_\_\_\_\_

**Directions:** Complete this form for each front and/or insert ordered. For multiples of the SAME front and/or insert, indicate the quantity desired above. Consult our brochure and fill-in ONLY the areas that apply. Custom fronts may require longer delivery. Call Customer Service if your front combination is not listed. Please make copies of this form as needed.

## Choose Part Number

Part No.	Description	Part No.	Description
<b>FDNY Leather Fronts</b>		<b>Custom Leather Fronts</b>	
<input type="checkbox"/> HF-AOF	FDNY Assigned Officer	<input type="checkbox"/> HF-COL	Columbus
<input type="checkbox"/> HF-HI	Heraldic (Choose Below)	<input type="checkbox"/> HF-FTWTH	Fort Worth
<input type="checkbox"/> HF-RBLS	Reflective Lettering (Use Bottom Lettering Squares Below)	<input type="checkbox"/> HF-SCRAM	Sacramento
<input type="checkbox"/> HF-FF	FDNY Firefighter	<input type="checkbox"/> HF-ABCC	Acting Batt Chief (Recessed)
<input type="checkbox"/> HF-Pi	FDNY Firefighter panel Insert	<input type="checkbox"/> HF-ABCR	Acting Batt Chief (Raised)
<input type="checkbox"/> HF-Pi2	Special Probationary Insert	<input type="checkbox"/> HF-AAF	Arched Assigned Officer (Recessed)
<input type="checkbox"/> HF-RBLL	Reflective Lettering (Use Bottom Lettering Squares Below)	<input type="checkbox"/> HF-LFCR	Field Comm Unit (Raised)
<input type="checkbox"/> HF-COL	FDNY Covering Officer	<input type="checkbox"/> HF-GLD	Gold Leaf (Contact Customer Service)
<input type="checkbox"/> HF-COPI	FDNY Covering Officer Panel Insert	<b>Traditional Passport/Accountability Fronts</b>	
<input type="checkbox"/> HF-RBLS	Reflective Lettering (Use Bottom Lettering Squares Below)	<input type="checkbox"/> HF-PS3	Houston Passport (Velcro® Center)
<b>Traditional Leather Fronts</b>		<input type="checkbox"/> HF-PS4	Houston Insert
<input type="checkbox"/> HF-LACO	L.A. County	<input type="checkbox"/> HF-PS15	L.A. County Passport (Velcro® Center)
<input type="checkbox"/> HF-HSTN	Houston	<input type="checkbox"/> HF-PS9	L.A. County Passport Insert (Custom Sewn Numbers)
<input type="checkbox"/> HF-MEM	Memphis	<input type="checkbox"/> HF-PS8	L.A. County Passport Insert
<input type="checkbox"/> HF-Pi3	Memphis Insert – Retroreflective	<input type="checkbox"/> HF-PS10	L.A. County Passport Dual Magnetic/Velcro® Insert – No Lettering
<input type="checkbox"/> HF-Pi5	Memphis Insert – Sewn	<input type="checkbox"/> HF-PS17	L.A. County Passport Magnetic Insert
<input type="checkbox"/> HF-CRA	Recognition Award	<b>Modern Leather Fronts</b>	
<input type="checkbox"/> HF-LFC	Field Comm Unit	<input type="checkbox"/> HF-PS2	Passport/Accountability
<input type="checkbox"/> HF-TRK	Truck Lettered	<input type="checkbox"/> HF-DAYTON	Passport/Accountability
<input type="checkbox"/> HF-BASIC	Basic	<input type="checkbox"/> HF-IC	Integral Customization – Contact Customer Service for Special Requirements

## Choose Colors

<b>Front Color</b>	<input type="checkbox"/> Black	<input type="checkbox"/> White	<input type="checkbox"/> Red	<input type="checkbox"/> Blue	<input type="checkbox"/> Orange	<input type="checkbox"/> Green	<input type="checkbox"/> Yellow	<input type="checkbox"/> Silver
<b>Background Color</b>	<input type="checkbox"/> Black	<input type="checkbox"/> White	<input type="checkbox"/> Red	<input type="checkbox"/> Blue	<input type="checkbox"/> Orange	<input type="checkbox"/> Green	<input type="checkbox"/> Yellow	<input type="checkbox"/> Silver
<b>Lettering Color</b>	<input type="checkbox"/> Black	<input type="checkbox"/> White	<input type="checkbox"/> Red	<input type="checkbox"/> Blue	<input type="checkbox"/> Orange	<input type="checkbox"/> Green	<input type="checkbox"/> Yellow	<input type="checkbox"/> Silver
<b>Number Color</b>	<input type="checkbox"/> Black	<input type="checkbox"/> White	<input type="checkbox"/> Red	<input type="checkbox"/> Blue	<input type="checkbox"/> Orange	<input type="checkbox"/> Green	<input type="checkbox"/> Yellow	<input type="checkbox"/> Silver
<b>Insert/Passport Color</b>	<input type="checkbox"/> Black	<input type="checkbox"/> White	<input type="checkbox"/> Red	<input type="checkbox"/> Blue	<input type="checkbox"/> Orange	<input type="checkbox"/> Green	<input type="checkbox"/> Yellow	<input type="checkbox"/> Silver

## Choose Lettering

**Top Arch**

**2nd Arch**

**Center or Insert Lettering**           or Choose Insignia Below

**Bottom Lettering**

## Choose Insignia

HF-RIGT Gold or  HF-HL-RIST Silver

Insignia: \_\_\_\_\_

HL-CRIL Reflective Color: \_\_\_\_\_

Insignia: \_\_\_\_\_

## Choose Assigned Officer Heraldic

Rank:  Captain  Lieutenant

Type of Service:  Engine  Ladder  Rescue

Marine  Squad

# Helmet Specifying Worksheet – All Models

Date: \_\_\_\_\_ Salesperson: \_\_\_\_\_  
 Fire Department: \_\_\_\_\_ Dealer: \_\_\_\_\_  
 Specifier's Name: \_\_\_\_\_ Address: \_\_\_\_\_ County \_\_\_\_\_  
 Address: \_\_\_\_\_ County \_\_\_\_\_ City/State/Zip: \_\_\_\_\_  
 City/State/Zip: \_\_\_\_\_ Phone: (\_\_\_\_) \_\_\_\_\_ Fax: (\_\_\_\_) \_\_\_\_\_  
 Phone: (\_\_\_\_) \_\_\_\_\_ Fax: (\_\_\_\_) \_\_\_\_\_ E-mail: \_\_\_\_\_  
 E-mail: \_\_\_\_\_

## Build Your Helmet

**Step 1: Specify Base Model:** \$ \_\_\_\_\_

- Ben 2       Low-Rider    BPR    HNO       Plus Model    BPR    HNO  
 Lite Force    Low-Rider    BPR    HNO       Plus Model    BPR    HNO  
 Proximity       Low-Rider    Plus Model  
 Technical Rescue & Recovery/Utility       Heavy Duty  
 Technical Rescue & Recovery/Utility       Lightweight Front Brim       Lightweight Full Brim  
 Wildland       Front Brim    Full Brim  
 EMS       Front Brim

**Shell Color** \_\_\_\_\_

**Step 2: Select Required Components:** (Where Applicable)

- Chinstrap: \_\_\_\_\_ Part No.: \_\_\_\_\_ \$ \_\_\_\_\_  
 Ear Cover: \_\_\_\_\_ Part No.: \_\_\_\_\_ \$ \_\_\_\_\_  
 Eye and Face Protection: \_\_\_\_\_ Part No.: \_\_\_\_\_ \$ \_\_\_\_\_  
 \_\_\_\_\_ Part No.: \_\_\_\_\_ \$ \_\_\_\_\_  
 Headband and Ratchet Cover: \_\_\_\_\_ Part No.: \_\_\_\_\_ \$ \_\_\_\_\_  
 Reflective Trim Pattern/Package: \_\_\_\_\_ Part No.: \_\_\_\_\_ \$ \_\_\_\_\_  
 Color: \_\_\_\_\_  
 Traditional Eagle Front Holder (Ben 2 Only) Part No.: \_\_\_\_\_ \$ \_\_\_\_\_

**Step 3: Select Optional Accessories:** (Where Applicable)

- Front System: \_\_\_\_\_ Color: \_\_\_\_\_ Part No.: \_\_\_\_\_ \$ \_\_\_\_\_  
 Top Wording: \_\_\_\_\_ Wording Color: \_\_\_\_\_  
 Center Type Part No.: \_\_\_\_\_ Color: \_\_\_\_\_ Insert Letters/Numbers: \_\_\_\_\_ \$ \_\_\_\_\_  
 Bottom Wording: \_\_\_\_\_ Wording Color: \_\_\_\_\_  
 Other: \_\_\_\_\_ Color: \_\_\_\_\_ Part No.: \_\_\_\_\_ \$ \_\_\_\_\_  
 Reflective Trim Accessories: \_\_\_\_\_ Part No.: \_\_\_\_\_ \$ \_\_\_\_\_  
 \_\_\_\_\_ Part No.: \_\_\_\_\_ \$ \_\_\_\_\_  
 Faceshield Logo Decal: \_\_\_\_\_ Part No.: \_\_\_\_\_ \$ \_\_\_\_\_  
 Goggle Garage: \_\_\_\_\_ Part No.: \_\_\_\_\_ \$ \_\_\_\_\_

**Total of ALL Components** \$ \_\_\_\_\_

Morning Pride Helmets for the Fire Service are Marketed Exclusively Through:

**Honeywell**

First Responder Products

#1 Innovation Court • Dayton, OH 45414

(937) 264-2662 • Fax (937) 264-2677 • 1-800-688-6148

Website: [www.HoneywellFirstResponder.com](http://www.HoneywellFirstResponder.com) • E-mail: [info@HoneywellFirstResponder.com](mailto:info@HoneywellFirstResponder.com)