

2012 PRICE LIST

SCOTT SAFETY

(Effective February 1, 2012)



SCOTT SAFETY

AIR SUPPLIED RESPIRATORS

■ Firefighting Self-Contained Breathing Apparatus	
Air-Pak 75 & Air-Pak NxG7 SCBA Configurator	3
Air-Pak SCBA Upgrade Kit Configurator.....	4
EZ-Scape Integrated Self Rescue Belts	5
■ Non-Fire SCBA	
Air-Pak Fifty SCBA (NIOSH Edition).....	6 - 7
Air-Pak NxG2 SCBA (NIOSH Edition).....	8
Air-Pak 50i SCBA Assemblies.....	9 - 11
ISCBA SCBA.....	13 - 15
ACSi SCBA	17 - 19
Swat-Pak SCBA	20
■ SCBA Accessories	
Air-Pak Fifty & Air-Pak NxG2 SCBA Accessories.....	12
Cylinders and Valves.....	22
■ Supplied Airline Respirators	
Ska-Pak AT Respirator Assemblies.....	23 - 25
Ska-Pak Plus Respirator Assemblies	27 - 29
Ska-Pak Respirator Assemblies.....	31 - 33
E-Z Airline Respirator Assemblies & Hoses	34 - 37
■ Portable Air Sources	
Rit-Pak III Emergency Air Supply	38
Carri-Air Portable Air Source	39
Mobile Air Cart	40
TRC-1 Air Cart	40
■ Escape Respirators	
ELSA Emergency Escape Breathing Device.....	41

ACCOUNTABILITY

■ Firefighter Locator System	
Pak-Tracker Firefighter Locator.....	42
■ P.A.S.S. Device	
SEMS II System	43
Pak-Alert SE+ PASS Device.....	43
■ Thermal Imaging Cameras	
Eagle Imager 320 Camera and Accessories	44 - 46
Eagle Attack Camera and Accessories	47 - 48
■ Communications	
All communications systems	49
• E-Z Radiocom II Communications Device	
• E-Z Radiocom I Communications Device	
• Talk-Around Communications Device	
• Hazmat Radiocom Communications Device	
• Con-Space Link Communications Device	
• EPIC Voice Amplifier	
• EPIC RI Wireless Communications System	
Communications Accessories.....	50
Facepiece Brackets & Ordering Matrix	51

AIR PURIFYING RESPIRATORS

■ Full Facepiece Respirators	
AV-3000 Facepiece (Top Down Convertible).....	53 - 56
AV-2000 Facepiece (Top Down Convertible)	57 - 59
Weld-O-Vista Facepiece (Top Down Convertible).....	60 - 62
Promask 25 Facepiece	63 - 65
M110 CBRN Dual Facepiece	66
M120 CBRN Facepiece	67
■ Half-Mask Respirators	
Xcel Halfmask	68 - 69
■ Powered Air Purifying Respirators	
Proflow 3 PAPR & Accessories	70
Proflow 2 PAPR & Accessories.....	71
C420 PAPR Parts & Accessories	72 - 73
■ Cartridges, Canisters and Filters	
742 Cartridges.....	74
631 Chin & 40MM Cartridges.....	75
Facepiece Adapters	76
Fit Testing Kits and Accessories.....	77
■ Escape Respirators	
Speed-Evac Respirator Assemblies, Part & Accessories	78

COMPRESSORS

■ Charge Stations	
Guardian and Revolvair Charge Stations.....	79
■ Compressors	
Simple Air & Hush Air Compressors	80
■ Mobile Compressor System	
Liberty I, Liberty II, & Liberty Slip-in Mobile Compressors.....	81
■ Storage & Racks	
Horizontal & Vertical.....	82

PORTABLE GAS DETECTION INSTRUMENTS

■ Multiple Gas Instruments	
Protégé Configurator.....	84
Protégé Multi-Gas Monitor.....	85 - 86

This price list is intended for use only by Scott Safety Authorized Distributors and their personnel and supersedes all previous price lists. Prices are subject to change without notice. Scott Safety Terms of Conditions are applicable to this document. Should a copy of the Terms and Conditions be needed, they can be obtained by contacting Scott Safety directly. © 2011 Scott Safety. SCOTT, the SCOTT SAFETY Logo, Scott Health and Safety, Air-Pak, NxG7, EZ-Scape, Air-Pak 50i, ISCBA, ACS, SWAT-PAK, E-Z Airline, Rit-Pak, Carri-Air, ELSA, Ska-Pak, Pak-Tracker, SEMS, Eagle Imager, Eagle Attack, E-Z Radiocom, Talk-Around, EPIC, AV-3000, AV-2000, Weld-O-Vista, Speed-Evac, Revolvair, and Protégé are registered and/or unregistered marks of Scott Technologies, Inc. or its affiliates.



AIR-PAK 75 & AIR-PAK NXG7 SCBA

BUILT-TO SPECIFICATION CONFIGURATOR
NFPA 1981, 2007 & 1982, 2007 APPROVED

SCBA Model	List Price	Harness	List Price	Pressure (psig) ①	List Price	SCBA Belt Type (select one number from both columns between the double lines)		List Price	Escape Rope / Anchorage Connector / Descender	List Price	Regulator ②	List Price	EBSS	List Price	Wireframe & Air-Pak 75 SCBA		Applicable options for all Air-Pak SCBA models					
						0	A								03	04	0	1	2	3	4	5
1 Wireframe SCBA	\$3,090	1 Standard	N/C	2 2216	\$340	0 Standard	N/C	2 None (No FFSR)	N/C	03 E-Z Flo+	N/C	0 None	N/C	0 None	N/C	1 Gauge & HUD Only	\$1,295	0 None	N/C	1 1 SCBA per box	N/C	
2 Air-Pak 75 SCBA	\$3,090	2 Spring clips	N/C	3 3000	\$340	A EZ-Scape I Rescue Belt	\$440	A 50' webbing / Crosby hook / Fire AL descender	\$315	04 E-Z Flo+ w/QC	\$295	1 Standard	\$560	1 Hansen	\$290	2 PASS	\$2,110	1 Hard Plastic	\$140	2 2 SCBA per box	-\$25	
3 Air-Pak NXG7 SCBA	\$3,310			4 4500	\$240	B EZ-Scape II, small	\$660	B 75' webbing / Crosby hook / Fire AL descender	\$415			2 Dual	\$560	2 Schrader	\$290	3 Pak-Tracker Locator	\$2,265	2 Soft Canvas	\$140			
						C EZ-Scape II, medium	\$660	E 50' T-Safe rope / Crosby hook / F4 descender	\$490					3 Hansen HK	\$290	4 Foster	\$290					
						D EZ-Scape II, large	\$660	F 75' T-Safe rope / Crosby hook / F4 descender	\$570					4 Cejn	\$290							
						E EZ-Scape III, small	\$710															
						F EZ-Scape III, medium	\$710															
						G EZ-Scape III, large	\$710															
						H EZ-Scape IV, small	\$980															
						J EZ-Scape IV, medium	\$980															
						K EZ-Scape IV, large	\$980															

1. Part Number:

Select a one or two digit number per box from the chart above that corresponds to your choice

AP	X	X	X	X	X	XX	X	X	0	X	X	X
----	---	---	---	---	---	----	---	---	---	---	---	---

- ① 3000 psi only available on Air-Pak 75 SCBA
- ② Standard EBSS requires a Quick Disconnect regulator for Air-Pak 75 SCBA
- ③ Airline options not available on Air-Pak NXG7 SCBA or when dual EBSS is installed on Air-Pak 75 SCBA
- ④ When ordering a case (soft or hard plastic) with any Air-Pak SCBA, you must choose one SCBA per box

2. Price:

Select the price that corresponds to the number selected above

AP	\$X	\$X	\$X	\$X	\$X	\$X	\$X	\$X	\$0	\$X	\$X	\$X
----	-----	-----	-----	-----	-----	-----	-----	-----	-----	-----	-----	-----

Example

Air-Pak 75 SCBA Model;
with spring clips;
for 4500 psig cylinder;
with E-Z Flo+ regulator with QC;
with dual EBSS;
including integrated PASS;
with hard plastic case;
shipped one per box

AP	2	2	4	0	2	04	2	0	0	2	1	1
	\$3,090	\$0	\$240	\$0	\$0	\$295	\$560	\$0		\$2,110	\$140	\$0

Total: Add up all costs

\$6,435

This price configurator is a guide to Scott's Air-Pak SCBA part numbers.

See page 43 for accessories for SEMS II Accountability System

AIR-PAK SCBA UPGRADE KIT

BUILT-TO SPECIFICATION CONFIGURATOR
UPGRADING TO NFPA 1981, 2007

From the columns below, please choose the components of your *current* Air-Pak SCBA when configuring your upgrade kit

Current Certification <small>Price includes RIC/UAC for all 1981 - 1997 units. For all non-CBRN units, price includes a new regulator.</small>	List Price	SCBA Style	List Price	Pressure (psig)	List Price	Regulator Hose	List Price	Accessory Hose (installed)	List Price	Console/Gauge <small>Price includes the HUD for all configurations.</small>	List Price
1 NFPA 1981 - 1997	\$1,365	1 Wireframe SCBA	\$0	2 2216	\$0	1 Standard Hose	\$0	0 Default (Single Outlet Manifold)	\$0	1 HUD Only	\$1,295
2 NFPA 1981 - 1997 (CBRN)	\$575	2 Air-Pak Fifty SCBA	\$0	3 3000	\$0	2 Quick Disconnect Hose	\$0	1 Dual outlet w/EBSS	\$0	2 PASS	\$2,110
3 NFPA 1981 - 2002	\$795	3 Air-Pak NxG2 SCBA	\$75	4 4500	\$0			2 Dual Outlet w/Dual EBSS or pigtail	\$0	3 PASS w/Pak-Tracker Locator	\$2,265
4 NFPA 1981 - 2002 (CBRN)	\$0							3 Air-Pak NxG2 without EBSS	\$0	6 PASS w/ SEMS II System	\$2,750
								4 Air-Pak NxG2 w/ dual EBSS ¹	\$125		
								5 Air-Pak NxG2 w/ dual EBSS ²	\$0		

Part Number:

Select one digit per box from the chart above that corresponds to your choice

07UG				0			
------	--	--	--	---	--	--	--

Price:

Select the price that corresponds to the number selected above

								Total
--	--	--	--	--	--	--	--	-------

Example

Current model is:
NFPA 1981, 2002 Air-Pak Fifty SCBA Model;
with 4500 psig cylinder;
with a standard hose;
with dual outlet w/EBSS;
adding a CBRN regulator and PASS device

07UG	3	2	4	0	1	1	2	
	\$795	\$0	\$0		\$0	\$0	\$2,110	\$2,905

This price configurator is a guide to upgrade legacy Air-Pak SCBA to the NFPA 1981, 2007 Standard.

Upgrading an Air-Pak SCBA to NFPA 1981, 2007 Edition requires that the noscup of the currently used AV-2000* or AV-3000 facepiece be upgraded to the 2007 standard design noscup

Part Number	Facepiece	Price
200766-01	AV-2000	\$52.00
31001043	AV-3000 (S)	\$39.00
31001044	AV-3000 (M)	\$39.00
31001045	AV-3000 (L)	\$39.00

*AV-2000 facepieces manufactured prior to May 2004 cannot be upgraded



See page 43 for accessories for SEMS II Accountability System

EZ - SCAPE

INTEGRATED SELF-RESCUE BELTS

EZ-Scape I Integrated Self-Rescue Belt

Air-Pak SCBA Backframe		Description	List Price
Aluminum	Wireframe		
Part number	Part number		
200861-101	200861-201	EZ-Scape I, One Size Fits All, 50' Kevlar Webbing, Crosby Hook, AL Descent Device	\$1,121.00
200861-102	200861-202	EZ-Scape I, One Size Fits All, 75' Kevlar Webbing, Crosby Hook, AL Descent Device	\$1,206.00

EZ-Scape II Integrated Self-Rescue Belt

Air-Pak SCBA Backframe		Description	List Price
Aluminum	Wireframe		
Part number	Part number		
200918-111	200918-211	EZ-Scape II, Small, 50' T-Safe Rope, Crosby Hook, F4 Descender	\$1,473.00
200918-112	200918-212	EZ-Scape II, Small, 75' T-Safe Rope, Crosby Hook, F4 Descender	\$1,548.00
200918-121	200918-221	EZ-Scape II, Medium, 50' T-Safe Rope, Crosby Hook, F4 Descender	\$1,473.00
200918-122	200918-222	EZ-Scape II, Medium, 75' T-Safe Rope, Crosby Hook, F4 Descender	\$1,548.00
200918-131	200918-231	EZ-Scape II, Large, 50' T-Safe Rope, Crosby Hook, F4 Descender	\$1,473.00
200918-132	200918-232	EZ-Scape II, Large, 75' T-Safe Rope, Crosby Hook, F4 Descender	\$1,548.00

EZ-Scape III Integrated Self-Rescue Belt

Air-Pak SCBA Backframe		Description	List Price
Aluminum	Wireframe		
Part number	Part number		
200918-141	200918-241	EZ-Scape III, with Axe Loop, Positioning Ring, Small, 50' T-Safe Rope, Crosby Hook, F4 Descender	\$1,527.00
200918-142	200918-242	EZ-Scape III, with Axe Loop, Positioning Ring, Small, 75' T-Safe Rope, Crosby Hook, F4 Descender	\$1,601.00
200918-151	200918-251	EZ-Scape III, with Axe Loop, Positioning Ring, Medium, 50' T-Safe Rope, Crosby Hook, F4 Descender	\$1,527.00
200918-152	200918-252	EZ-Scape III, with Axe Loop, Positioning Ring, Medium, 75' T-Safe Rope, Crosby Hook, F4 Descender	\$1,601.00
200918-161	200918-261	EZ-Scape III, with Axe Loop, Positioning Ring, Large, 50' T-Safe Rope, Crosby Hook, F4 Descender	\$1,527.00
200918-162	200918-262	EZ-Scape III, with Axe Loop, Positioning Ring, Large, 75' T-Safe Rope, Crosby Hook, F4 Descender	\$1,601.00

EZ-Scape IV Integrated Self-Rescue Belt

Air-Pak SCBA Backframe		Description	List Price
Aluminum	Wireframe		
Part number	Part number		
200918-171	200918-271	EZ-Scape IV, with Axe Loop, Positioning Ring, Multi-Use Strap and Double Pouch, Small, 50' T-Safe Rope, Crosby Hook, F4 Descender	\$1,804.00
200918-172	200918-272	EZ-Scape IV, with Axe Loop, Positioning Ring, Multi-Use Strap and Double Pouch, Small, 75' T-Safe Rope, Crosby Hook, F4 Descender	\$1,879.00
200918-181	200918-281	EZ-Scape IV, with Axe Loop, Positioning Ring, Multi-Use Strap and Double Pouch, Medium, 50' T-Safe Rope, Crosby Hook, F4 Descender	\$1,804.00
200918-182	200918-282	EZ-Scape IV, with Axe Loop, Positioning Ring, Multi-Use Strap and Double Pouch, Medium, 75' T-Safe Rope, Crosby Hook, F4 Descender	\$1,879.00
200918-191	200918-291	EZ-Scape IV, with Axe Loop, Positioning Ring, Multi-Use Strap and Double Pouch, Large, 50' T-Safe Rope, Crosby Hook, F4 Descender	\$1,804.00
200918-192	200918-292	EZ-Scape IV, with Axe Loop, Positioning Ring, Multi-Use Strap and Double Pouch, Large, 75' T-Safe Rope, Crosby Hook, F4 Descender	\$1,879.00

Re-packing Jig for E-Z Scape II, III, and IV (a single jig can be used re-pack many EZ-Scape Belts)

200904-01	Re-packing Jig for for 50' rope	\$33.10
200904-02	Re-packing Jig for for 75' rope	\$34.00

AIR-PAK 2.2/3.0/4.5/FIFTY SCBA

(NIOSH 42 CFR CERTIFIED)



Air-Pak Fifty SCBA

Standard Harness • Less Cylinder • Less Facepiece • E-Z Flo Regulator

Part Number	Pressure (PSIG)	Standard Unit	Quick Connect Regulator	EBSS	Dual EBSS	Case	Price
804936-0102	2216	●				●	\$3,233.00
804936-0202	2216	●					\$3,138.00
804936-0302	2216		●			●	\$3,519.00
804935-0102	4500	●				●	\$3,375.00
804935-0202	4500	●					\$3,281.00
804935-0402	4500		●				\$3,553.00
804935-0502	4500		●	●		●	\$4,232.00
804935-0802	4500				●		\$3,867.00
804935-1002	4500		●		●		\$4,128.00

Air-Pak 4.5 (NFPA 1981, 2007 approved)

Padded Harness • Voice Amplifier • AV-3000 Facepiece • E-Z Flo + Regulator (includes cylinder)

Part Number	Duration	Price
804861-3707	30 Minute	\$6,850.00
804861-3807	45 Minute	\$7,210.00

Note: Refer to page 22 for Cylinder ordering information. Refer to pages 53 - 67 for facepieces ordering information.

Air-Pak Fifty SCBA

Standard Harness • Less Cylinder • Less Facepiece • E-Z Flo+ Regulator

Part Number	Pressure (PSIG)	Standard Unit	Quick Connect Regulator	EBSS	Dual EBSS	Case	Price
804936-0103	2216	●				●	\$3,477.00
804935-0103	4500	●				●	\$3,605.00
804935-0203	4500	●					\$3,511.00

AIR-PAK N_xG₂ SCBA

(NIOSH 42 CFR CERTIFIED)



Air-Pak NxG2 SCBA

Standard Harness • Less Cylinder • Less Facepiece • E-Z FloII Regulator

Part Number	Pressure (PSIG)	Standard Unit	Quick Connect Regulator	Dual EBSS	Console	Case	Price
200300-02	2216	●			Gauge		\$3,138.00

Standard Harness • Less Cylinder • Less Facepiece • E-Z Flo II Regulator

Part Number	Pressure (PSIG)	Standard Unit	Quick Connect Regulator	Dual EBSS	Console	Case	Price
200310-01	4500	●			PASS	●	\$4,274.00

Note: Refer to page 22 for Cylinder ordering information. Refer to pages 53- 67 for facepieces ordering information.

AIR - PAK 50i SCBA

BUILT-TO SPECIFICATION CONFIGURATOR
NIOSH 42 CFR CERTIFIED



SCBA Model	List Price	Harness	List Price	Pressure (psig)	List Price	Cylinder ①	List Price	Regulator	List Price	EBSS	List Price	Airline Options ②	List Price	Facepiece	List Price	Console	List Price	Case	List Price	Packaging	List Price
2	\$2,020	5 Kevlar®/ Parachute Buckle	N/C	2 2216	N/C	00 None	N/C	1 E-Z Flo with Vibralert	N/C	0 None	N/C	0 None	N/C	0 None	N/C	1 Gauge	N/C	0 None	N/C	1 One Per Box	N/C
				3 3000	\$340			2 E-Z Flo with Vibralert Quick Connect	\$155	2 Dual	\$560	1 Hansen	\$290	1 AV-2000, Kevlar® (CS)	\$294	2 PASS (Pak-Alert SE+)	\$975	1 Hard Case	\$140		
				4 4500	\$240							2 Schrader	\$290	2 AV-3000, Kevlar® (M)	\$294			2 Soft Case	\$140		
				5 2216 with RIC UAC	\$270							3		3 AV-3000, SureSeal Kevlar® (M)	\$294						
				6 3000 with RIC UAC	\$780							4 Hansen HK Plug	\$290								
				7 4500 with RIC UAC	\$520							5 Hansen HK Socket	\$290								

1. Part Number:

Select a one or two digit number per box from the chart above that corresponds to your choice

APi	2	5	X	00	X	X	X	X	X	X	X
-----	---	---	---	----	---	---	---	---	---	---	---

① Order cylinders separately - for list of cylinder/valve assemblies, please see page 22

② Airline options not available when dual EBSS is installed on Air-Pak 50i SCBA

2. Price:

Select the price that corresponds to the number selected above

APi	\$X	\$X	\$X	\$0	\$X	\$X	\$X	\$X	\$X	\$X	\$X
-----	-----	-----	-----	-----	-----	-----	-----	-----	-----	-----	-----

Example

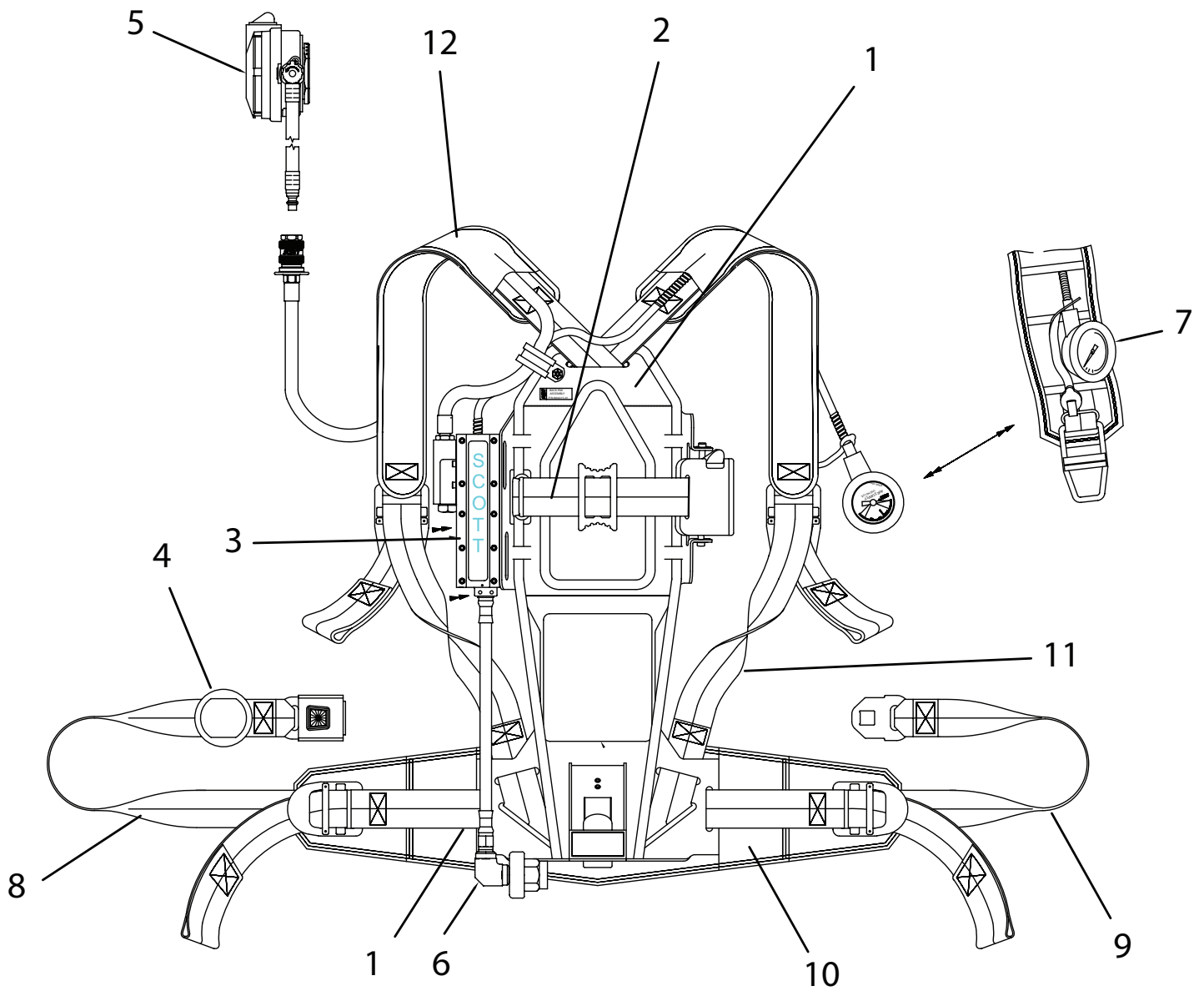
Air-Pak 50i SCBA Model;
Kevlar®/Parachute Buckle;
for 2216 psig cylinder;
(no cylinder)
with E-Z Flo with Vibralert
regulator
no EBSS
with Hansen Airline
No Facepiece
standard gauge
with hard plastic case
shipped one per box

APi	2	5	2	00	1	0	1	0	1	1	1
	\$2,020	\$0	\$0		\$0	\$0	\$290	\$0	\$0	\$140	\$0

Total: Add up all costs

\$2,450

This price configurator is a guide to Scott's Air-Pak 50i SCBA part numbers.



AIR-PAK 50i SCBA

Air-Pak 50i SCBA Parts & Accessories

Item Number	Description	Pieces Per Pkg	Part Number	Price
1	Air-Pak Fifty SCBA Parachute Style	1	804415-01	\$1,191.00
2	Cylinder Retention Assembly	1	804421-01	\$130.00
3	<i>REDUCER ASSEMBLIES</i>			
3a	2216 psi reducer w/dual port manifold	1	802276-03	\$2,080.00
3a	4500 psi reducer w/dual port manifold	1	802220-03	\$2,080.00
4	Regulator Holder	1	10008880	\$28.30
5	<i>REGULATOR ASSEMBLY</i>			
5a	EZ-Flo regulator w/Vibralert	1	804370-01	\$833.00
5b	EZ-Flo regulator w/QD and Vibralert	1	804370-02	\$854.00
6	<i>HOSE AND COUPLING ASSEMBLY</i>			
6a	2216 psi and 3000 psi hose and coupling assembly	1	802228-02	\$281.00
6b	4500 psi hose and coupling assembly	1	802228-01	\$281.00
6c	4500 psi, RIC-UAC hose and coupling assembly	1	802228-15	\$602.00
7	<i>GAUGE ASSEMBLY</i>			
7a	2216 psi gauge and line assembly	1	804059-04	\$202.00
7b	3000 psi gauge and line assembly	1	804059-06	\$202.00
7c	4500 psi gauge and line assembly	1	804059-05	\$202.00
8	Waist belt assembly (female)	1	804426-01	\$62.00
9	Waist belt assembly (male)	1	804427-01	\$58.00
10	Waist pad assembly	1	804471-01	\$271.00
11	Kevlar strap, waist belt to shoulder pad	1	804481-01	\$125.00
12	Shoulder pad assembly	1	804428-01	\$338.00
Not shown	Hard carrying case, Air-Pak 50i SCBA		804497-01	\$298.00
Not shown	Soft carrying case, Air-Pak 50i SCBA		10009324	\$141.00
Not shown	<i>FACEPIECES</i>			
Not shown	AV-3000 Facepiece	See Page 53		
Not shown	AV-2000 Facepiece	See Page 57		

Air-Pak 2.2/3.0/4.5/Fifty /NxG₂ SCBA Accessories

Part Number	Description	Price
10008880	Mask Mounted Regulator Holder	\$28.30
10009324	Air-Pak Fifty SCBA Soft Side Carry Case	\$141.00
80008-02	Air-Pak Fifty SCBA 4.5 Walk-Away Bracket for 45 & 60 Min Cylinder	\$359.00
804497-01	Air-Pak Fifty SCBA Hard Carrying Case	\$298.00
804594-01	Mask Hook Assembly	\$18.90
805511-01	Chest Strap, Air-Pak Fifty	\$30.40
805534-01	Polyester Fleece Facepiece Bag	\$25.00
200112-01	Hansen Adapter, Dual EBSS/Ext. Duration	\$281.00
200112-02	Foster Adapter, Dual EBSS/Ext. Duration	\$281.00
200112-04	Schrader Adapter, Dual EBSS/Ext. Duration	\$281.00



INDUSTRIAL SCBA (ISCBA)

ASSEMBLIES & ACCESSORIES (NIOSH 42 CFR CERTIFIED)



Select part numbers from this product line are part of the Scott Fast Trax Program. Contact your Regional Manager or Scott Customer Service for more details.

SCBA Model	List Price	Harness	List Price	Pressure (psig)	List Price	Cylinder	List Price	Regulator	List Price	Manifold ①	List Price	Airline Options	List Price	Facepiece ②	List Price	Console	List Price	Case	List Price	Packaging	List Price
1 ISCBA SCBA	\$1,130	1 Nylon/Polymer Buckle	N/C	2 2216	N/C	00 None	N/C	3 EZ-Flo standard	N/C	1 Single	N/C	0 None	N/C	0 None	\$-	1 Gauge	N/C	0 None	N/C	1 One Per Box	N/C
		4 Kevlar®/Metal Buckle	\$120	4 4500	\$240	01 2216psi Aluminum, 30 min.	\$580	4 EZ-Flo Modulair	\$55	2 Dual	\$105	1 Hansen	\$290	1 AV-2000, Kevlar® (CS)	\$294.00			1 Hard Case	\$140		
						02 2216psi Carbon, 30 min.	\$1,082					2 Schrader	\$290	2 AV-3000, Kevlar® (M)	\$294.00			2 Soft Case	\$140		
						04 4500psi Carbon, 30 min	\$971					3 Cejn	\$290	3 AV-3000 SureSeal, Kevlar® (M)	\$294.00						
						05 4500psi Carbon, 45 min	\$1,320					4 Hansen HK Plug	\$290	4 AV-2000 (CS) Poly	\$220.00						
						06 4500psi Carbon, 60 min	\$1,480					5 Hansen HK Socket	\$290	5 AV-3000 (M) Poly	\$220.00						
						Drained								6 AV-3000 SureSeal (M) Poly	\$220.00						
						AA 2216psi Aluminum, 30 min.	\$580							7 AV-2000 (CS) Rubber	\$220.00						
						BB 2216psi Carbon, 30 min.	\$1,082							8 AV-3000 (M) Rubber	\$220.00						
						DD 4500psi Carbon, 30 min	\$971														
						EE 4500psi Carbon, 45 min	\$1,320														
						FF 4500psi Carbon, 60 min	\$1,480														

1. Part Number:

Select a one or two digit number per box from the chart above that corresponds to your choice

IND	1	X	X	XX	X	X	X	X	X	1	X	1
-----	---	---	---	----	---	---	---	---	---	---	---	---

① Airline options require a Dual Manifold

② If you prefer an alternate Facepiece style, headharness, or size, choose "none" and order an approved Facepiece as a separate line item (see pages 53 - 67 for selection)

2. Price:

Select the price that corresponds to the number selected above

IND	\$X	\$X	\$X	\$X	\$X	\$X	\$X	\$X	\$X	\$X	\$X	\$X
-----	-----	-----	-----	-----	-----	-----	-----	-----	-----	-----	-----	-----

Example

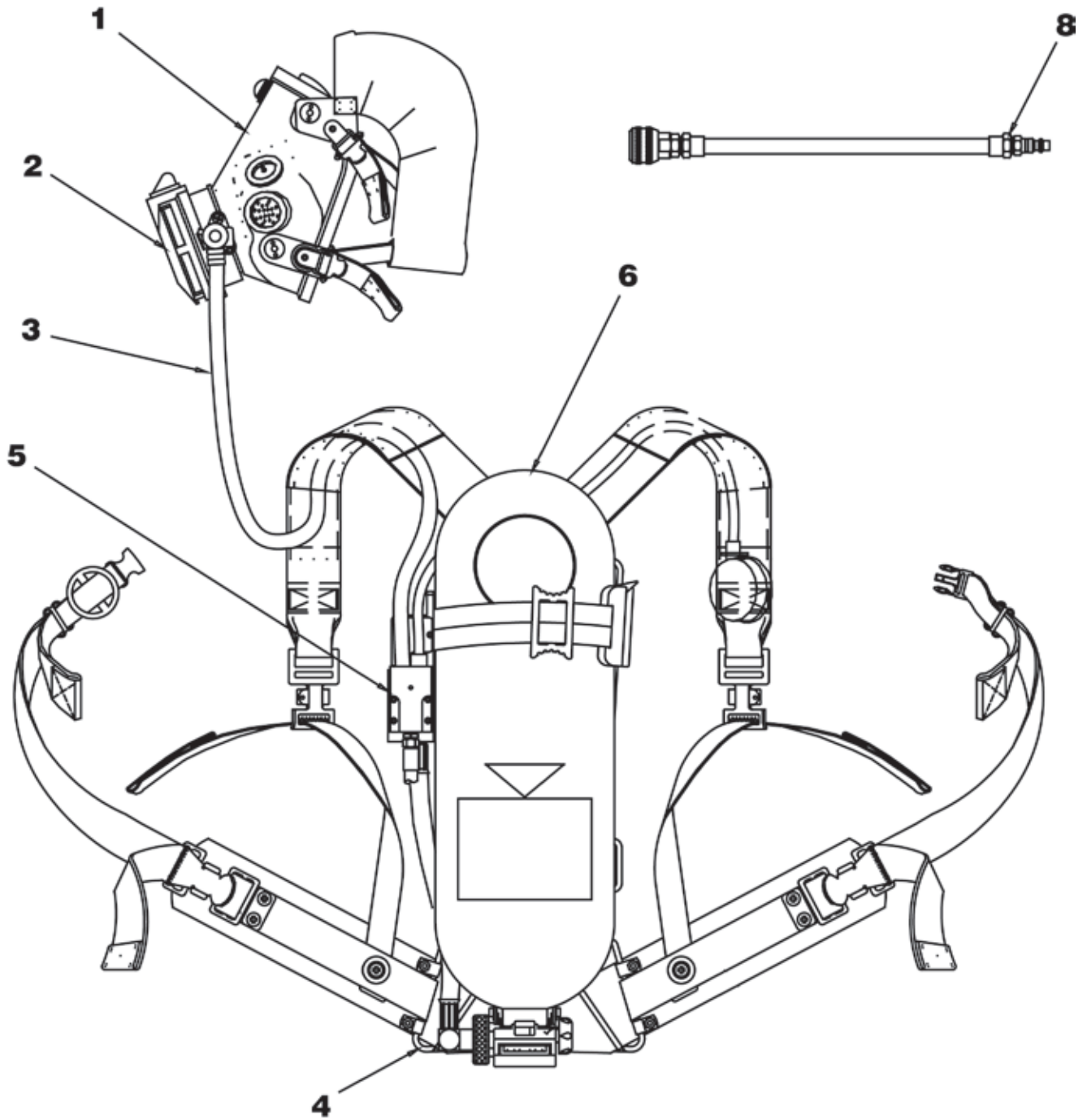
ISCBA SCBA Model;
Nylon/Polymer Buckle;
for 2216 psig cylinder;
2216psi 30min AL cylinder;
with E-Z Flo regulator;
Dual Manifold;
Hansen Airline;
AV200 Kevlar® (CS)
standard gauge
No case;
shipped one per box

IND	1	1	2	01	3	2	1	1	1	0	1
	\$1,130	\$0	\$0	\$580	\$0	\$105	\$290	\$294	\$0	\$0	\$0

Total: Add up all costs

\$2,399

This price configurator is a guide to Scott's ISCBA SCBA part numbers.



Industrial SCBA Parts & Accessories

Item Number	Description	Pieces Per Pkg	Part Number	Price
1	<i>FACEPIECES</i>			
1a	AV-3000 Facepiece	See Page 53		
1b	AV-2000 Facepiece	See Page 57		
2	<i>REGULATOR</i>			
2a	E-Z Flo	1	804441-04	\$462.00
2b	E-Z Flo with Modulair Quick Connect	1	804441-05	\$476.00
3	Quick Connect Low Pressure Hose Assembly	1	804678-01	\$147.00
4	<i>BACKFRAME AND HARNESSSES</i>			
4a	Kevlar with Metal Buckles	1	804621-02	\$688.00
4b	Nylon with Plastic Buckles	1	804621-03	\$573.00
5	<i>PRESSURE REDUCERS</i>			
5a	2216 psig, Single Port	1	804619-01	\$899.00
5b	2216 psig, Dual Port	1	804619-02	\$993.00
5e	4500 psig, Single Port	1	804642-01	\$974.00
5f	4500 psig, Dual Port	1	804642-02	\$1,068.00
6	<i>CYLINDER AND VALVE ASSEMBLIES</i>			
6a	Aluminum, 30-Minute, 2216 psig	1	804101-01	\$580.00
6b	Carbon, 30-Minute, 2216 psig	1	804840-01	\$1,082.00
6c	Carbon, 30-Minute, 4500 psig	1	804721-01	\$971.00
6d	Carbon, 45-Minute, 4500 psig	1	804722-01	\$1,320.00
6e	Carbon, 60-Minute, 4500 psig	1	804723-01	\$1,480.00
7	<i>AIRLINE HOSE AND FITTINGS (Not shown)</i>			
7a	Airline Accessory Hose, Hansen Fitting	1	27537-01	\$295.00
7b	Airline Accessory Hose, Schrader Fitting	1	27537-02	\$295.00
7c	Airline Accessory Hose, Hansen HK Fitting	1	27537-03	\$295.00
8	<i>SUPPLY HOSES</i>	See Page 36		
Not shown	Hard Carrying Case, Air-Pak Fifty / Swat-Pak / ISCBA / C100	1	804497-01	\$298.00
Not shown	Soft Carrying Case, Air-Pak Fifty / Swat-Pak / ISCBA / C100	1	10009324	\$141.00

NOTES

ACSi SCBA

BUILT-TO SPECIFICATION CONFIGURATOR
NIOSH 42 CFR CERTIFIED



SCBA Model	List Price	Harness	List Price	Pressure (psig)	List Price	Cylinder	List Price	Regulator	List Price	Manifold	List Price	Extended Duration Airline	List Price	Facepiece	List Price	Console	List Price	Case	List Price	Packaging	List Price
3 ACSI SCBA	\$850.00	A ACSI Standard	\$-	2 2216	\$-	00 None	\$-	3 EZ-Flo standard	\$-	0 Standard	\$-	0 None	\$-	0 None	\$-	1 Gauge	\$-	0 None	\$-		
				4 4500	\$240.00	01 2216psi Aluminum, 30 min.	\$580.00	4 EZ-Flo Modulair	\$55.00			1 Hansen	\$290.00	1 AV-2000, Kevlar® (CS)	\$294.00			1 Hard Case	\$140.00	One Per Box	\$-
						02 2216psi Carbon, 30 min.	\$1,082.00					2 Schrader	\$290.00	2 AV-3000, Kevlar® (M)	\$294.00			2 Soft Case	\$140.00		
						04 4500psi Carbon, 30 min	\$971.00					3 Hansen HK Plug	\$290.00	3 AV-3000 SureSeal Kevlar® (M)	\$294.00						
						05 4500psi Carbon, 45 min	\$1,320.00					4 Cejn	\$290.00	4 AV-2000 (CS) Poly	\$220.00						
						06 4500psi Carbon, 60 min	\$1,480.00					5 Hansen HK Socket	\$290.00	5 AV-3000 (M) Poly	\$220.00						
						Drained							6 AV-3000 SureSeal (M) Poly	\$220.00							
						AA 2216psi Aluminum, 30 min.	\$580.00						7 AV-2000 (CS) Rubber	\$220.00							
						BB 2216psi Carbon, 30 min.	\$1,082.00						8 AV-3000 (M) Rubber	\$220.00							
						DD 4500psi Carbon, 30 min	\$971.00														
						EE 4500psi Carbon, 45 min	\$1,320.00														
						FF 4500psi Carbon, 60 min	\$1,480.00														
						* NOTE selecting a cylinder with ACSI SCBA will ship a cylinder with the unique ACS designated valve assembly															

1. Part Number:

Select a one or two digit number per box from the chart above that corresponds to your choice

ACS	3	A	X	XX	X	0	X	X	1	X	1
-----	---	---	---	----	---	---	---	---	---	---	---

2. Price:

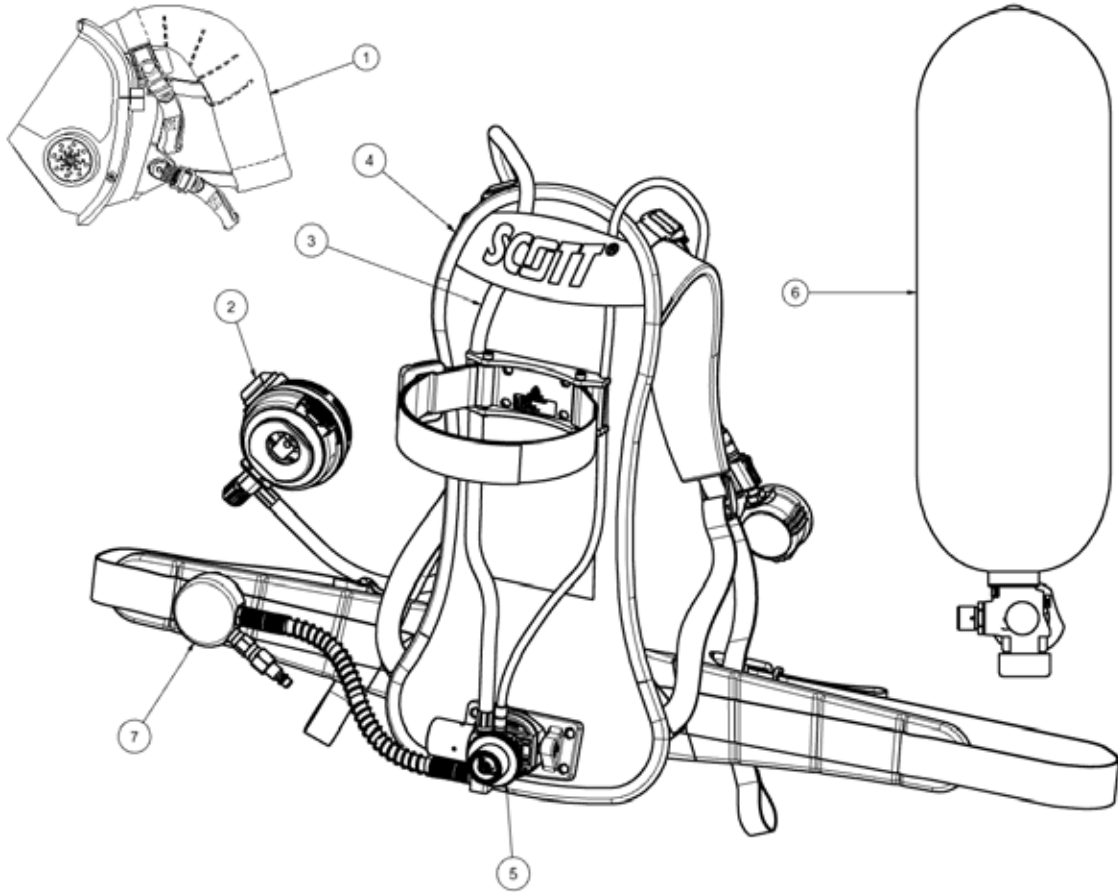
Select the price that corresponds to the number selected above

ACS	\$X	\$X	\$X	\$X	\$X	\$X	\$X	\$X	\$X	\$X	\$X
-----	-----	-----	-----	-----	-----	-----	-----	-----	-----	-----	-----

Example
ACSi SCBA Model;
Standard Harness, 2.2, with 2216psi Aluminum cylinder, E-Z Flo Regulator, No Airline, AV-2000 Facepiece with Rubber Head Harness, standard gauge, No Case, shipped one per box

ACS	3	A	2	01	3	0	0	7	1	0	1	Total: Add up all costs
	\$850	\$0	\$0	\$580	\$0	\$0	\$0	\$220	\$0	\$0	\$0	\$1650

This price configurator is a guide to Scott's ACSI SCBA part numbers.



ACSi SCBA Parts & Accessories

Item Number	Description	Pieces Per Pkg	Part Number	Price
1	<i>FACEPIECES</i>			
1a	AV-3000 Facepiece	See Page 53		
1b	AV-2000 Facepiece	See Page 57		
2	<i>REGULATOR</i>			
2a	E-Z Flo Regulator	1	804441-06	\$466.00
2b	E-Z Flo with Modulair Quick Connect	1	804441-05	\$476.00
3	<i>Quick Connect Low Pressure Hose Assembly</i>	1	200867-01	\$147.00
4	<i>BACKFRAME AND HARNESES</i>			
4a	ACS (Advanced Carrying System) Standard Backframe/ Harness Assembly	1	200877-01	\$370.00
5	<i>PRESSURE REDUCERS</i>			
5a	2.2 Pressure Reducer Assembly	1	2019231	\$466.00
5b	4.5 Pressure Reducer Assembly	1	2019232	\$544.00
6	<i>ACS CYLINDER AND VALVE ASSEMBLIES (with ACS valve)</i>			
6a	Aluminum, 30-Minute, 2216 psig	1	200874-01	\$580.00
6b	Carbon, 30-Minute, 2216 psig	1	200873-01	\$1,082.00
6c	Carbon, 30-Minute, 4500 psig	1	200870-01	\$971.00
6d	Carbon, 45-Minute, 4500 psig	1	200871-01	\$1,320.00
6e	Carbon, 60-Minute, 4500 psig	1	200872-01	\$1,480.00
7	<i>Extended Duration Airline Assembly (Not shown)</i>			
7a	Airline Accessory Hose, Hansen Fitting	1	200879-01	\$392.00
7b	Airline Accessory Hose, Schrader Fitting	1	200879-02	\$392.00
7c	Airline Accessory Hose, Hansen HK Fitting	1	200879-03	\$392.00
7d	Airline Accessory Hose, CEJN Fitting	1	200879-05	\$392.00
8	<i>SUPPLY HOSES</i>	See Page 36		

SWAT-PAK

TACTICAL SCBA (NIOSH 42 CFR CERTIFIED)



4.5 SWAT-Pak SCBA, featuring the E-Z Flo Regulator with Vibralert includes: Black Kevlar Harness, Comfort Seal AV-2000 Facepiece with Kevlar Head Harness, and QD on regulator

Part Number	EBSS w/ 6'Hose	Quick Charge	Soft Case	Price
805454-60			●	\$3,494.00

2.2 SWAT-Pak SCBA First Responder Edition*, Black Kevlar Harness, AV-2000 Facepiece with Kevlar Head Harness (Comfort Seal), Quick Connect E-Z Flo Plus CBRN Regulator, Heads-Up Display, and RIC/UAC. NIOSH CBRN SCBA performance compliant.

Part Number	EBSS w/ 6'Hose	Dual EBSS	Soft Case	Price
805454-413			●	\$4,285.00

4.5 SWAT-Pak SCBA First Responder Edition*, Black Kevlar Harness, AV-2000 Facepiece with Kevlar Head Harness (Comfort Seal), Quick Connect E-Z Flo Plus CBRN Regulator, Heads-Up Display, and RIC/UAC. NIOSH CBRN SCBA performance compliant.

Part Number	EBSS w/ 6'Hose	Dual EBSS	Soft Case	Price
805454-416			●	\$4,524.00
805454-417	●		●	\$5,106.00
805454-418		●	●	\$5,106.00

**Note: First Responder Edition includes the HUD but does not include the Vibralert for stealth operations.
Note: For cylinder ordering information refer to page 22.*

NOTES

CYLINDER & VALVE

30, 45 & 60 MINUTE ASSEMBLIES

2216 psig 30 Minute Cylinder & Valve Assemblies

Part Number	Aluminum	Carbon	Cylinder Valve	Price
29000-00	●			\$391.00
10010063		●		\$876.00
804101-01	●		●	\$580.00
804840-01		●	●	\$1,082.00
200131-01*		●	●	\$1,082.00

3000 psig 30 Minute Cylinder & Valve Assemblies

Part Number	Carbon	Cylinder Valve	Price
805044-01	●	●	\$1,257.00

4500 psig, 30 Minute Cylinder & Valve Assemblies

Part Number	Carbon	ST7	Cylinder Valve	Price
10009671	●			\$814.00
804721-01	●		●	\$971.00
200128-01*	●		●	\$971.00
804721-11	●	●	●	\$1,060.00
200128-11*	●	●	●	\$1,060.00

4500 psig, 45 Minute Cylinder & Valve Assemblies

Part Number	Carbon	ST7	Cylinder Valve	Price
10009673	●			\$1,160.00
804722-01	●		●	\$1,320.00
200129-01*	●		●	\$1,320.00
804722-11	●	●	●	\$1,400.00

4500 psig, 60 Minute Cylinder & Valve Assemblies

Part Number	Carbon	ST7	Cylinder Valve	Price
10009672	●			\$1,330.00
804723-01	●		●	\$1,480.00
200130-01*	●		●	\$1,480.00
804723-11	●	●	●	\$1,560.00
200130-11*	●	●	●	\$1,560.00

*Cylinder and valve for NxG series SCBA only



SKA-PAK AT RESPIRATOR ASSEMBLIES



Select part numbers from this product line are part of the Scott FastTrax Program. Contact your Regional Manager or Scott Customer Service for more details.

SAR Model	List Price	Entry/Egress	List Price	Pressure (psig)	List Price	Cylinder	List Price	Harness	List Price	Regulator	List Price	Airline	List Price	Facepiece ①	List Price	Case ②	List Price	Packaging	List Price
4 Ska-Pak AT SAR	\$1,185	2 Entry/Egress	N/C	2 2216	N/C	00 None	N/C	3 Nylon	\$155	3 E-Z Flo Vibralert	N/C	0 None	N/C	0 None	\$-	0 None	N/C	1 One Per Box	N/C
				3 3000	N/C	01 2216/Aluminum/3min	\$380	4 Kevlar®	\$275	4 E-Z Flo Vibralert QD	\$155	1 Hansen	\$100	1 AV-2000, Kevlar® (CS)	\$294	1 Hard Case	\$178		
				4 4500	N/C	02 3000/FW/5min	\$460	5 FBH (Small)	\$420			2 Schrader	\$100	2 AV-3000, Kevlar® (M)	\$294				
						03 3000/FW/10min	\$530	6 FBH (Medium)	\$420			3 Cejn	\$170	3 AV-3000 SureSeal, Kevlar® (M)	\$294				
						04 3000/HW/15min	\$465	7 FBH (Large)	\$420			4 Hansen HK Plug	\$180	4 AV-2000 (CS) Poly	\$220				
						05 4500/HW/10min	\$590					5 Hansen HK Socket	\$180	5 AV-3000 (M) Poly	\$220				
						06 4500/Carbon/15min	\$665							6 AV-3000 SureSeal (M) Poly	\$220				
						Drained								7 AV-2000 (CS) Rubber	\$220				
						AA 2216/Aluminum/3min	\$380							8 AV-3000 (M) Rubber	\$220				
						BB 3000/FW/5min	\$460												
						CC 3000/FW/10min	\$530												
						DD 3000/HW/15min	\$465												
						EE 4500/HW/10min	\$590												
						FF 4500/Carbon/15min	\$665												

1. Part Number:

Select a one or two digit number per box from the chart above that corresponds to your choice

SAR	4	2	X	XX	0	X	X	X	X	X	1
-----	---	---	---	----	---	---	---	---	---	---	---

- ① If you prefer an alternate Facepiece style, headharness, or size, choose "none" and order an approved Facepiece as a separate line item (see pages 53 - 67 for selection)
- ② Cases are not compatible with select FBH styles, if selecting a FBH, please choose "none" for case option.

2. Price:

Select the price that corresponds to the number selected above

SAR	\$X	\$X	\$X	\$X		\$X	\$X	\$X	\$X	\$X	\$X
-----	-----	-----	-----	-----	--	-----	-----	-----	-----	-----	-----

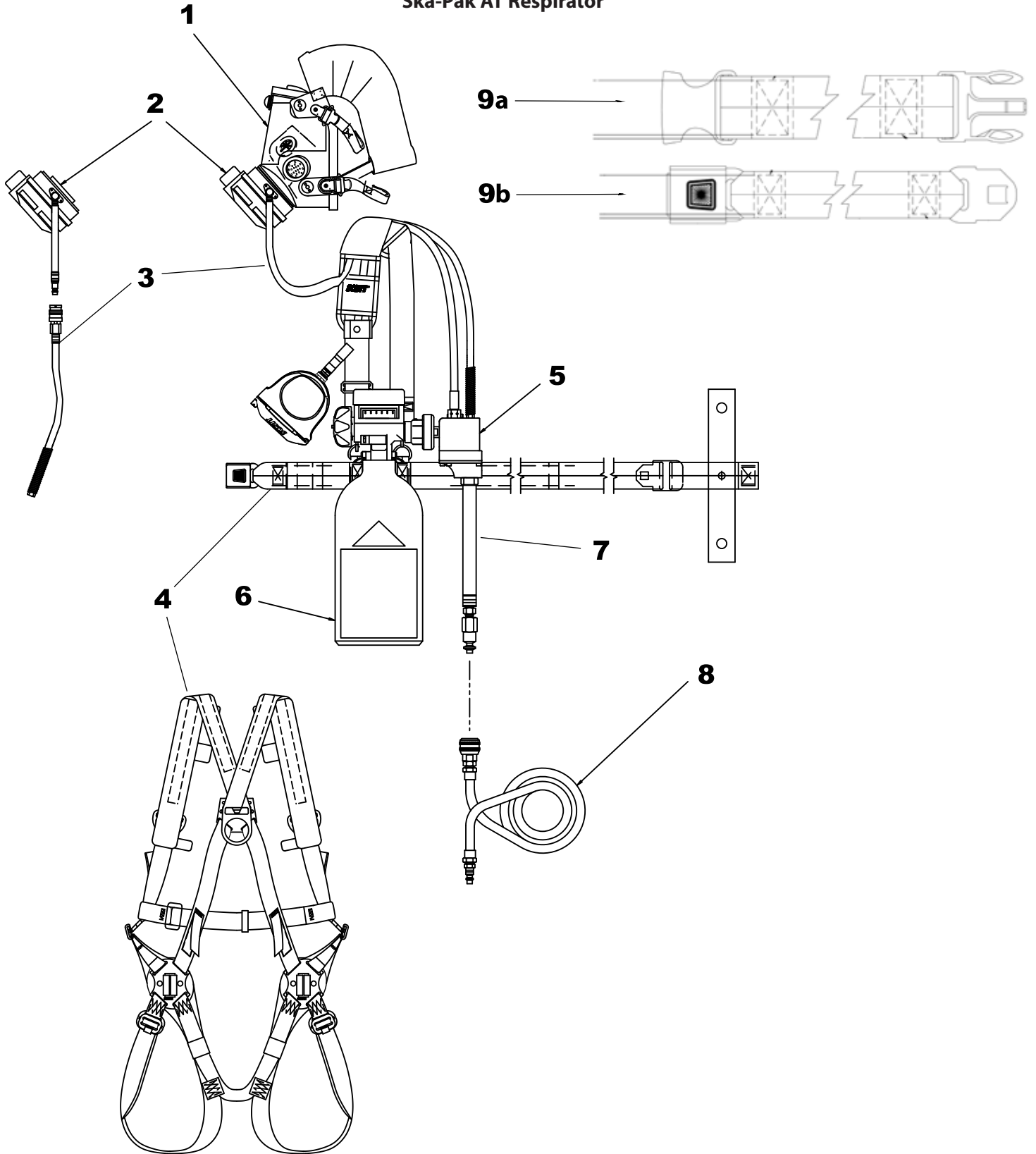
Example

Ska-Pak AT SAR Model;
for Entry/Egress
for 4500 psig cylinder;
4500psig 15min Carbon
cylinder;
Kevlar® Harness
with E-Z Flo Vibralert
regulator;
Hansen Airline;
AV200 Kevlar® (CS)
No case;
shipped one per box

SAR	4	2	4	06	0	4	3	1	1	0	1	Total: Add up all costs
	\$1,185	\$0	\$0	\$665		\$275	\$0	\$100	\$294	\$0	\$0	

This price configurator is a guide to Scott's Ska-Pak AT Supplied Air Respirator part numbers.

Ska-Pak AT Respirator



Ska-Pak AT Facepiece Part & Accessories

Item Number	Description	Pieces Per Pkg	Part Number	Price
1	<i>FACEPIECE</i>			
1a	AV-3000 Facepiece	See Page 53		
1b	AV-2000 Facepiece	See Page 57		
2	<i>REGULATOR</i>			
2a	E-Z Flo	1	804370-09	\$819.00
2b	E-Z Flo with Quick Connect	1	804370-02	\$854.00
3	Quick Connect Hose Assembly	1	804694-05	\$173.00
4	<i>HARNESSES</i>			
4a	Nylon	1	804982-01	\$225.00
4b	Kevlar	1	804981-01	\$392.00
4c	Full Body Harness (Fall Protection)	1	805061-04	\$578.00
5	<i>PRESSURE REDUCERS</i>			
5a	2216/3000, Entry/Egress	1	200031-03	\$518.00
5b	4500 psig, Entry/Egress	1	200031-04	\$518.00
6	<i>CYLINDER AND VALVE ASSEMBLIES</i>			
6a	Aluminum, 2216 psig	1	805031-01	\$412.00
6b	Hoop Wrap Fiberglass, 10-Minute, 4500 psig	1	805032-01	\$618.00
6c	Carbon, 15-minute, 4500 psig	1	200779-01	\$706.00
7	<i>AIRLINE HOSE AND FITTINGS</i>			
7a	Airline Hose with Hansen/Foster Fitting	1	804305-01	\$100.00
7b	Airline Hose with Schrader Fitting	1	804305-02	\$100.00
7c	Airline Hose with Hansen HK Fitting Plug	1	804305-03	\$183.00
8	<i>AIRLINE SUPPLY HOSES</i>	See Page 36		
9	<i>WAIST EXTENSION BELTS</i>			
9a	Kevlar Extension Belt, 1.5 Inches Wide	1	805088-01	\$29.30
9b	Nylon Extension Belt, 2 Inches Wide	1	805088-02	\$27.20

NOTE: All full body harnesses (FBH) are size medium unless otherwise specified.

NOTES



SKA-PAK PLUS

SUPPLIED AIR RESPIRATOR ASSEMBLIES



Select part numbers from this product line are part of the Scott Fast Trax Program. Contact your Regional Manager or Scott Customer Service for more details.

SAR Model	List Price	Entry/Egress ①	List Price	Pressure (psig)	List Price	Cylinder	List Price	Harness	List Price	Regulator	List Price	Airline	List Price	Facepiece ②	List Price	Case ③	List Price	Packaging	List Price
3 Ska-Pak Plus SAR	\$590	2 Entry/Egress	N/C	2 2216	N/C	00 None	N/C	3 Nylon	\$155	1 E-Z Flo	N/C	0 None	N/C	0 None	\$-	0 None		1 One Per Box	N/C
		3 Egress Only	N/C	3 3000	N/C	01 2216/Aluminum/5min	\$380	4 Kevlar®	\$275	2 E-Z Flo Modulair	\$55	1 Hansen	\$100	1 AV-2000, Kevlar® (CS)	\$294	1 Hard Case	\$178		
				4 4500	N/C	02 3000/FW/5min	\$460	5 FBH (Small)	\$420			2 Schrader	\$100	2 AV-3000, Kevlar® (M)	\$294				
						03 3000/FW/10min	\$530	6 FBH (Medium)	\$420			3 Cejn	\$170	3 AV-3000 SureSeal, Kevlar® (M)	\$294				
						04 3000/HW/15min	\$465	7 FBH (Large)	\$420			4 Hansen HK Plug	\$180	4 AV-2000 (CS) Poly	\$220				
						05 4500/HW/10min	\$590					5 Hansen HK Socket	\$180	5 AV-3000 (M) Poly	\$220				
						06 4500/Carbon/15min	\$665							6 AV-3000 SureSeal (M) Poly	\$220				
						Drained								7 AV-2000 (CS) Rubber	\$220				
						AA 2216/Aluminum/5min	\$380							8 AV-3000 (M) Rubber	\$220				
						BB 3000/FW/5min	\$460												
						CC 3000/FW/10min	\$530												
						DD 3000/HW/15min	\$465												
						EE 4500/HW/10min	\$590												
						FF 4500/Carbon/15min	\$665												

1. Part Number:

Select a one or two digit number per box from the chart above that corresponds to your choice

SAR	3	X	X	XX	0	X	X	X	X	X	1
-----	---	---	---	----	---	---	---	---	---	---	---

① Must select Entry/Egress to select an Airline option

② If you prefer an alternate Facepiece style, headharness, or size, choose "none" and order an approved Facepiece as a separate line item (see pages 53 - 67 for selection)

③ Cases are not compatible with select FBH styles, if selecting a FBH, please choose "none" for case option.

2. Price:

Select the price that corresponds to the number selected above

SAR	\$X	\$X	\$X	\$X		\$X	\$X	\$X	\$X	\$X	\$X
-----	-----	-----	-----	-----	--	-----	-----	-----	-----	-----	-----

Example

Ska-Pak Plus SAR Model;
for Entry/Egress
for 4500 psig cylinder;
4500psig 10min cylinder;
Nylon Harness
with E-Z Flo regulator;
Hansen Airline;
AV200 Kevlar® (CS)
No case;
shipped one per box

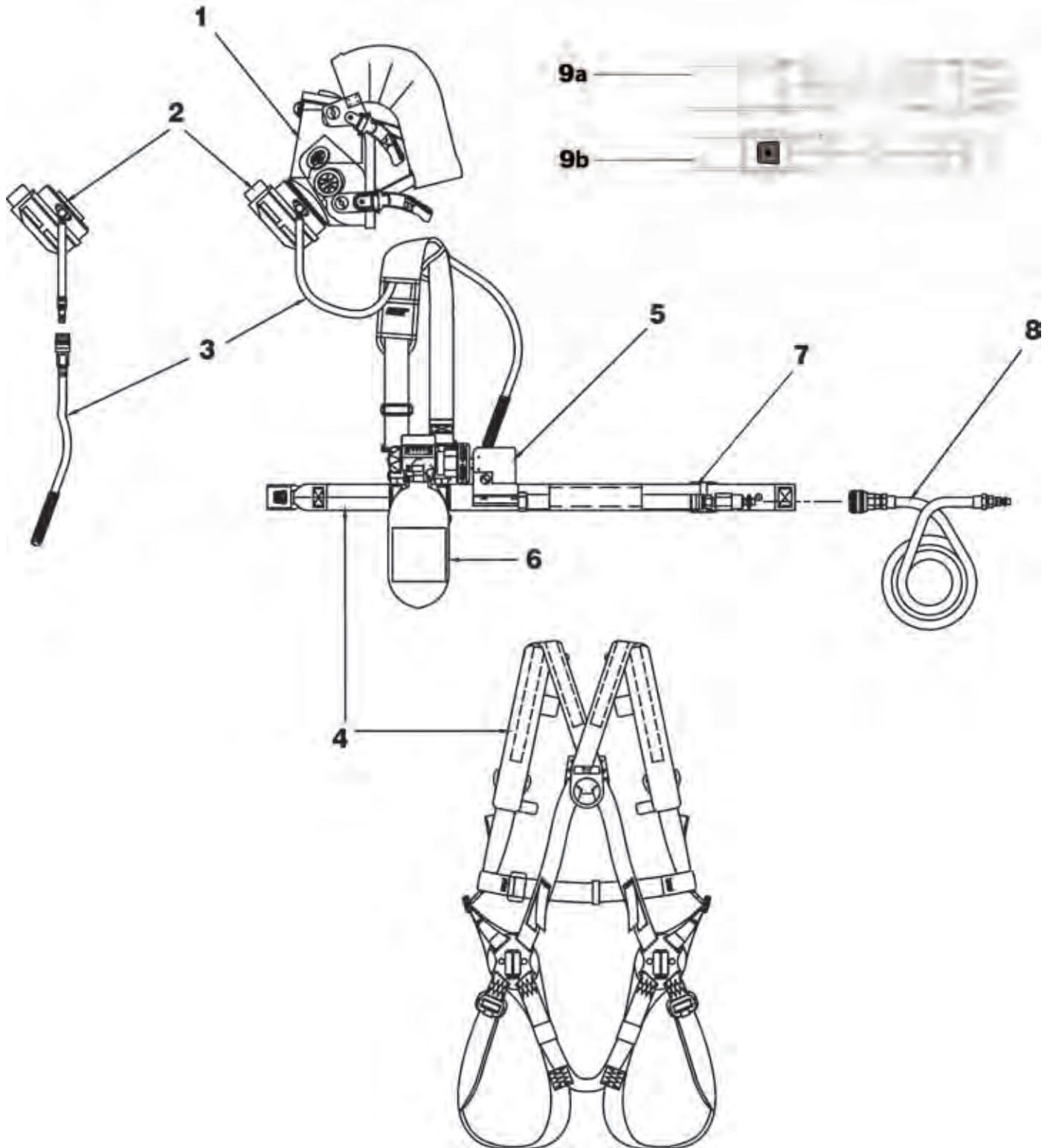
SAR	3	2	4	05	0	3	1	1	1	0	1
	\$590	\$0	\$0	\$590		\$155	\$0	\$100	\$294	\$0	\$0

Total: Add up all costs

\$1,729

This price configurator is a guide to Scott's Ska-Pak Plus Supplied Air Respirator part numbers.

Ska-Pak Plus Respirator



Ska-Pak Plus Respirator Facepiece Part & Accessories

Item Number	Description	Pieces Per Pkg	Part Number	Price
1	<i>FACEPIECE</i>			
1a	AV-3000 Facepiece	See Page 53		
1b	AV-2000 Facepiece	See Page 57		
2	<i>REGULATOR</i>			
2a	E-Z Flo	1	804221-01	\$658.00
2b	E-Z Flo with Modulair	1	804441-05	\$476.00
3	Quick Connect Hose Assembly	1	804694-01	\$183.00
4	<i>HARNESSES</i>			
4a	Kevlar	1	804981-01	\$392.00
4b	Nylon	1	804982-01	\$225.00
4c	Full Body Harness (Medium)	1	805061-04	\$578.00
5	<i>PRESSURE REDUCERS</i>			
5a	2.2/3.0 Reducer Assembly	1	804304-11	\$374.00
5f	4.5 Reducer Assembly	1	804304-01	\$374.00
5g	4.5 Reducer Assembly (Escape Only)	1	804310-01	\$276.00
6	<i>CYLINDER AND VALVE ASSEMBLIES</i>			
6a	Aluminum, 5-Minute, 2216 psig	1	805031-01	\$412.00
6d	Hoop Wrap Fiberglass, 10-Minute, 4500 psig	1	805032-01	\$618.00
7	<i>AIRLINE HOSE AND FITTINGS</i>			
7a	Airline Hose with Hansen/Foster Fitting	1	804305-01	\$100.00
7b	Airline Hose with Schrader Fitting	1	804305-02	\$100.00
7c	Airline Hose with Hansen HK Fitting Plug	1	804305-03	\$183.00
8	<i>AIRLINE SUPPLY HOSES</i>	See Page 36		
9	<i>WAIST EXTENSION BELTS</i>			
9a	Nylon Extension Belt, 2 Inches Wide	1	805088-02	\$27.20
9b	Kevlar Extension Belt, 1.5 Inches Wide	1	805088-01	\$29.30

NOTE: All full body harnesses (FBH) are size medium unless otherwise specified.

NOTES

SKA-PAK

SUPPLIED AIR RESPIRATOR ASSEMBLIES



Select part numbers from this product line are part of the Scott Fast Trax Program. Contact your Regional Manager or Scott Customer Service for more details.

SAR Model	List Price	Entry/Egress ①	List Price	Pressure (psig)	List Price	Cylinder	List Price	Harness	List Price	Regulator	List Price	Airline	List Price	Facepiece ②	List Price	Case	List Price	Packaging	List Price
2 Ska-Pak SAR	\$540	2 Entry/Egress	N/C	2 2216	N/C	00 None	N/C	2 Polypropylene	\$155	1 E-Z Flo	N/C	0 None	N/C	0 None	\$-	0 None	N/C	1 One Per Box	N/C
		3 Egress Only	N/C	3 3000	N/C	01 2216/Aluminum/5 min	\$380	4 Kevlar®	\$275			1 Hansen	\$100	1 AV-2000, Kevlar® (CS)	\$294	1 Hard Case	\$178		
				4 4500	N/C	04 3000/HW/15min	\$465					2 Schrader	\$100	2 AV-3000, Kevlar® (M)	\$294				
						05 4500/HW/10min	\$590					3 Cejn	\$170	3 AV-3000 SureSeal, Kevlar® (M)	\$294				
						06 4500/Carbon/15min	\$665					4 Hansen HK Plug	\$180	4 AV-2000 (CS) Poly	\$220				
						Drained						5 Hansen HK Socket	\$180	5 AV-3000 (M) Poly	\$220				
						AA 2216/Aluminum/5 min	\$380							6 AV-3000 SureSeal (M) Poly	\$220				
						DD 3000/HW/15min	\$465							7 AV-2000 (CS) Rubber	\$220				
						EE 4500/HW/10min	\$590							8 AV-3000 (M) Rubber	\$220				
						FF 4500/Carbon/15min	\$665												

1. Part Number:

Select a one or two digit number per box from the chart above that corresponds to your choice

SAR	2	X	X	XX	0	X	1	X	X	X	1
-----	---	---	---	----	---	---	---	---	---	---	---

① Must select Entry/Egress to select an Airline option

② If you prefer an alternate Facepiece style, headharness, or size, choose "none" and order an approved Facepiece as a separate line item (see pages 53 - 67 for selection)

2. Price:

Select the price that corresponds to the number selected above

SAR	\$X	\$X	\$X	\$X		\$X	\$X	\$X	\$X	\$X	\$X
-----	-----	-----	-----	-----	--	-----	-----	-----	-----	-----	-----

Example

Ska-Pak SAR Model;
for Entry/Egress
for 2216 psig cylinder;
2216psi 5min AL cylinder;
Polypropylene Harness
with E-Z Flo regulator;
Hansen Airline;
AV200 Kevlar® (CS)
No case;
shipped one per box

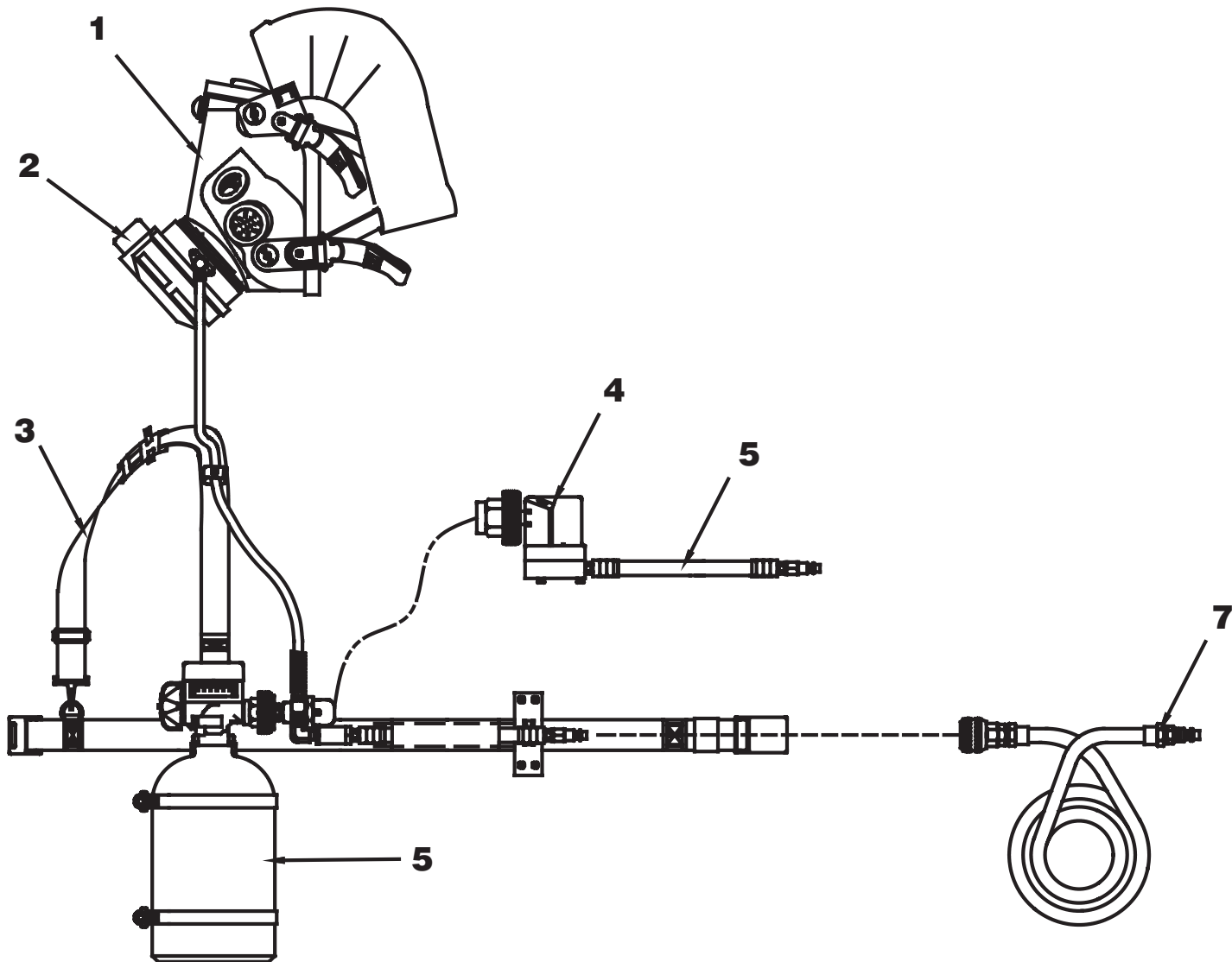
SAR	2	2	2	01	0	2	1	1	1	0	1
	\$540	\$0	\$0	\$380		\$155	\$0	\$100	\$294	\$0	\$0

Total: Add up all costs

\$1,469

This price configurator is a guide to Scott's Ska-Pak Supplied Air Respirator part numbers.

Ska-Pak Respirator



Ska-Pak Respirator Facepiece Part & Accessories

Item Number	Description	Pieces Per Pkg	Part Number	Price
1	<i>FACEPIECE</i>			
1a	AV-3000 Facepiece	See Page 53		
1b	AV-2000 Facepiece	See Page 57		
2	E-Z Flo Regulator	1	804221-01	\$658.00
3	<i>HARNESSES</i>			
3a	Polypropylene	1	802200-01	\$165.00
3b	Kevlar	1	804307-01	\$369.00
4	<i>PRESSURE REDUCERS</i>			
4a	2.2/3.0 Reducer Assembly	1	804304-11	\$374.00
4c	4.5 Reducer Assembly	1	804304-01	\$374.00
4d	4.5 Reducer Assembly (Escape only)	1	804310-01	\$276.00
5	<i>CYLINDER AND VALVE ASSEMBLIES</i>			
5a	Aluminum, 5-Minute, 2216 psig	1	801935-03	\$377.00
5b	Hoop Wrap Fiberglass, 10-Minute, 4500 psig	1	804281-01	\$568.00
5c	Hoop Wrap Fiberglass, 15-Minute, 3000 psig	1	804961-01	\$487.00
5d	Carbon, 15-minute, 4500 psig	1	200779-03	\$669.00
6	<i>AIRLINE HOSE AND FITTINGS FOR SKA-PAK 4.5 UNITS</i>			
6a	Airline Hose with Hansen/Foster Fitting	1	804305-01	\$100.00
6b	Airline Hose with Schrader Fitting	1	804305-02	\$100.00
6c	Airline Hose with Hansen HK Fitting Plug	1	804305-03	\$183.00
7	<i>AIRLINE SUPPLY HOSES</i>	See Page 36		

NOTE: To upgrade to a Ska-Pak Plus Respirator, see page .29

E - Z AIRLINE

RESPIRATOR ASSEMBLIES



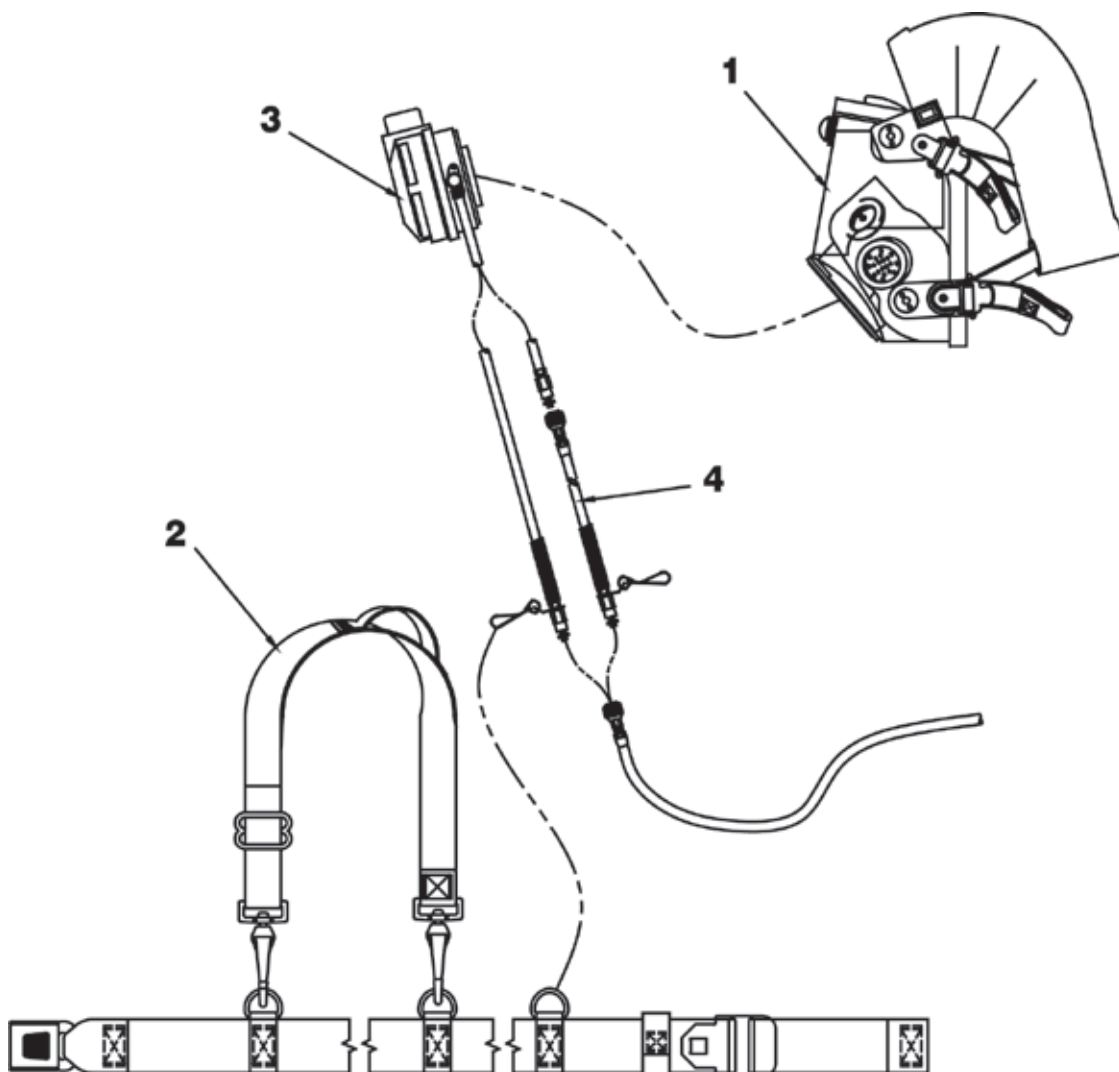
Select part numbers from this product line are part of the Scott Fast Trax Program. Contact your Regional Manager or Scott Customer Service for more details.

E-Z Airline with Modulair QuickConnect

Part Numbers	Harness	Facepiece	Head Harness	Facesal Size	Regulator	Hose Fitting	Price
804386-19	Nylon	AV-2000	Polyester	Comfort Seal	E-Z Flo w/ Modulair	Hansen	\$733.00
804386-25	Nylon	AV-2000	Polyester	Comfort Seal	E-Z Flo w/ Modulair	Schrader	\$733.00
804386-31	Nylon	AV-2000	Polyester	Comfort Seal	E-Z Flo w/ Modulair	Hansen HK	\$814.00
804386-66	Nylon	Facepiece not included, order separately			E-Z Flo w/ Modulair	Hansen	\$521.00
804386-62	Nylon	Facepiece not included, order separately			E-Z Flo w/ Modulair	Schrader	\$521.00

E-Z Airline Respirator Facepiece Part & Accessories

Item Number	Description	Pieces Per Pkg	Part Number	Price
1	<i>FULL FACEPIECES</i>			
1a	AV-3000 Facepiece	See Page 53		
1b	AV-2000 Facepiece	See Page 57		
2	Body harness	1	804493-01	\$139.00
3	E-Z Flo Regulator with Modulair Quick Connect Fitting	1	804441-05	\$476.00
4	<i>REGULATOR HOSE ASSEMBLIES</i>			
4a	Hose Assembly, Schrader	1	804694-03	\$143.00
4b	Hose Assembly, Hansen	1	804694-04	\$147.00
4c	Hose Assembly, Hansen HK Plug	1	804694-02	\$238.00



SCOTT SAFETY

Supply Hose Assemblies

Part Number	Description	Pieces Per Pkg	Price
26369-006	Hansen HK, 6 Ft	1	\$209.00
26369-010	Hansen HK, 10 Ft	1	\$213.00
26369-025	Hansen HK, 25 Ft	1	\$319.00
26369-050	Hansen HK, 50 Ft	1	\$389.00
26369-100	Hansen HK, 100 Ft	1	\$497.00
26370-006	Foster, 6 Ft	1	\$108.00
26370-010	Foster, 10 Ft	1	\$130.00
26370-025	Foster, 25 Ft	1	\$171.00
26370-050	Foster, 50 Ft	1	\$250.00
26370-100	Foster, 100 Ft	1	\$392.00
26370-150	Foster, 150 Ft	1	\$523.00
30010-006	Hansen, 6 Ft	1	\$108.00
30010-010	Hansen, 10 Ft	1	\$130.00
30010-025	Hansen, 25 Ft	1	\$171.00
30010-050	Hansen, 50 Ft	1	\$250.00
30010-100	Hansen, 100 Ft	1	\$392.00
30010-150	Hansen, 150 Ft	1	\$523.00
30010-300	Hansen, 300 Ft	1	\$892.00
30020-006	Schrader, 6 Ft	1	\$108.00
30020-010	Schrader, 10 Ft	1	\$130.00
30020-025	Schrader, 25 Ft	1	\$171.00
30020-050	Schrader, 50 Ft	1	\$250.00
30020-100	Schrader, 100 Ft	1	\$392.00
30020-150	Schrader, 150 Ft	1	\$523.00
805659-006	Cejn, 6 Ft	1	\$130.00
805659-025	Cejn, 25 Ft	1	\$204.00
805659-050	Cejn, 50 Ft	1	\$304.00
805659-100	Cejn, 100 Ft	1	\$409.00

Pass-Thru Assemblies

Part Number	Description	Pieces Per Pkg	Price
803620-01	Pass-Thru Assembly, Hansen Fitting	1	\$132.00
803620-02	Pass-Thru Assembly, Schrader Fitting	1	\$132.00

* Pass-thru devices are manufactured for use in protective chemical suits, e.g. Level A and Level B. NIOSH approvals for pass-thru devices in chemical suits are carried by the chemical suit manufacturer. The pass-thru devices must be installed by the suit manufacture to maintain proper NIOSH approvals.

RIT-PAK III

AIR SOURCE KIT



RIT-Pak III

Part Number	Pressure	RIT-Pak III Carrying Bag	Shoulder Strap	6' EBSS	5' RIC Hose	RIT-Pak III Facepiece	EZ-Flo Regulator	Price
200954-01	2216	●	●	●	●	●	●	\$2,936.00
200954-02	4500	●	●	●	●	●	●	\$2,936.00
200954-03	2216	●	●	●	●			\$2,524.00
200954-04	4500	●	●	●	●			\$2,524.00

RIT-Pak Accessories

Part Number	Description	Price
200955-01	RIT-Pak III Replacement Bag Less Shoulder Strap	\$618.00
200989-01	Replacement Shoulder Strap	\$103.00
200959-01	RIT-Pak III Replacement Facepiece	\$206.00
200962-01	RIT-Pak III Replacement EZ-Flo Regulator	\$623.00
200991-01	RIT-Pak III Carrying Strap Assembly	\$103.00

CARRI - AIR

PORTABLE AIR SUPPLY ASSEMBLIES



Carri-Air Portable Air Supply Assemblies (Less Cylinder)

Part Number	Description	Pieces Per Pkg	Price
804911-01	Carri-Air Portable Air Supply With Hansen Fitting	1	\$633.00
804911-02	Carri-Air Portable Air Supply With Schrader Fitting	1	\$633.00

Carri-Air Portable Air Supply With Low Air Alarm (Less Cylinder)

Part Number	Description	Pieces Per Pkg	Price
804911-05	4500 psig Reducer With Hansen Connection	1	\$1,144.00
804911-06	4500 psig Reducer With Schrader Connection	1	\$1,144.00

Carri-Air Portable Air Supply Cylinders

Part Number	Description	Pieces Per Pkg	Price
804722-01	Carbon Cylinder and Valve Assembly, 4500 psig, 45-Minute	1	\$1,320.00
804723-01	Carbon Cylinder and Valve Assembly, 4500 psig, 60-Minute	1	\$1,480.00

MOBILE AIR CART

AIR SUPPLY



Mobile AIR CART (Less Cylinders)

Part Number	Description	Pieces Per Pkg	Price
805825-01	Mobile Air Cart, 2 Outlet, Hansen, Aux. Inlet, Less Cylinders	1	\$2,351.00
805825-04	Mobile Air Cart, 2 Outlet, Schrader, Aux. Inlet, Less Cylinders	1	\$2,351.00
805826-01	Mobile Air Cart, 4 Outlet, Hansen, Aux. Inlet, Less Cylinders	1	\$2,476.00
805826-04	Mobile Air Cart, 4 Outlet, Schrader Aux. Inlet, Less Cylinders	1	\$2,476.00
805827-01	Mobile Air Cart, 4 Outlet, 2 Tool, Hansen, Aux. Inlet, Less Cylinders	1	\$2,860.00
805827-04	Mobile Air Cart, 4 Outlet, 2 Tool, Schrader, Aux. Inlet, Less Cylinders	1	\$2,860.00
804723-01	Carbon 4500 psig, 60 Min. Cylinder and Valve Assembly	1	\$1,480.00
804101-01	Aluminum, 2216 psig, 30 Min. Cylinder and Valve Assembly	1	\$580.00

TRC - 1

AIR CART



TRC-1 AIR CART (Less Cylinders)

Part Number	Description	Pieces Per Pkg	Price
200070-01	TRC-1 Air Cart, 8 Outlet, Aux. Inlet, Hansen, Less cylinders	1	\$5,564.00
200070-02	TRC-1 Air Cart, 8 Outlets, Aux. Inlet, Foster, Less cylinders	1	\$5,689.00
200070-03	TRC-1 Air Cart, 8 Outlets, Aux. Inlet, Hansen HK, Less cylinders	1	\$6,001.00
200070-04	TRC-1 Air Cart, 8 Outlets, Aux. Inlet, Schrader, Less cylinders	1	\$5,596.00
200070-05	TRC-1 Air Cart, 8 Outlets, Aux. Inlet, Cejn, Less cylinders	1	\$5,876.00

ELSA

EMERGENCY ESCAPE BREATHING DEVICE



ELSA Emergency Escape Breathing Device

Part Number	Description	Price
2009164	ELSA 5-Minute Emergency Escape Breathing Device	\$463.00
2009165	ELSA 10-Minute Emergency Escape Breathing Device	\$567.00
2014226	ELSA 15-Minute Emergency Escape Breathing Device	\$619.00

ELSA Parts and Accessories

Part Number	Description	Price
2010880	Replacement Hood	\$98.00
2010884	Replacement Bag, 5-Minute Unit	\$76.00
2010885	Replacement Bag, 10-Minute Unit	\$76.00
2015330	Replacement Bag, 15-Minute Unit	\$76.00
2010881	Reducer Assembly, 5-Minute Unit	\$345.00
2010882	Reducer Assembly, 10-Minute and 15-Minute Unit	\$345.00
2010173	Anti-Fog Coating	\$8.70

PAK-TRACKER

FIREFIGHTER LOCATOR



Pak-Tracker Firefighter Locator

Part Number	Description	Price
200266-03	Pak-Tracker Hand-Held Receiver Kit	\$1,442.00
200267-01	Pak-Tracker Firefighter Locator Personal Transmitter Kit	\$282.00
200682-01*	Pak-Tracker Firefighter Locator Integrated Upgrade Kit* (Sensor module, cables, less console)	\$743.00
805796-03*	Pak-Tracker Firefighter Locator (Field Install Kit)*	\$982.00
200817-01	Pak Tracker HHR/PT Kit - includes chargers, PT, HHR, and carrying case	\$2,884.00

* For NFPA 1982, 2002 Edition Air-Pak 2.2/3.0/4.5/ Fifty SCBA

Accessories of Pak-Tracker Firefighter Locator

Part Number	Description	Price
200402-02	Pak-Tracker Hand-Held Receiver NiMH Rechargeable Battery	\$87.00
200433-01	Pak-Tracker Hand-Held Receiver Truck Charging System, 12V DC	\$462.00
200433-02	Pak-Tracker Hand-Held Receiver Truck Charging System, 110V AC	\$504.00
200434-01	Pak-Tracker Hand-Held Receiver Desktop Charging System, 110V AC	\$452.00
40014453	Pak-Tracker Hand-Held Receiver Neck Strap	\$51.00
200431-01	Pak-Tracker Personal Transmitter Battery Door & Clip Assembly	\$40.00
200411-01	Pak-Tracker Personal Transmitter Lanyard	\$26.00
200711-01	Pak Tracker Personal Transmitter Programmer Kit	\$1,046.00

SEMS II

SCOTT ELECTRONIC MANAGEMENT SYSTEM



SEMS II Accountability System for Air-Pak SCBA

SEMS II is a configurable item that must be purchased with a Scott Air-Pak SCBA. To purchase SEMS II with an Air-Pak 75 or Air-Pak NxG7 SCBA, please go to Page 3. To purchase SEMS II with an Air-Pak Upgrade Kit, please go to Page 4.

Accessories for SEMS II Accountability System

Part Number	Description	Price
200774-01	RFID Card (kit of 10)	\$103.00
200773-01	RFID Programmer Kit	\$568.00
200772-01	SEMS II Mesh Gateway Kit	\$1,829.00

PAK-ALERT SE+

PERSONAL ALERT SAFETY SYSTEMS



Pak-Alert SE+ for Air-Pak 2.2/3.0/4.5/ Fifty SCBA

Part Number	Description	Price
805796-01	Pak-Alert SE+ Pass Device (Field Install Kit)	\$903.00
805796-03	Pak Alert SE+ w/ Pak Tracker (field install kit)	\$982.00

EAGLE IMAGER 320

THERMAL IMAGING CAMERA



Eagle Imager 320 (Camera only with attached battery)

Part Number	Temperature Readout <i>Bar Scale & Digital</i>	Overhaul Mode <i>/ Tac Mode</i>	Transmitter	TVR	Pak Tracker	Price
200744-01	°F	●				\$9,400.00
200744-02	°F	●	●			\$10,035.00
200744-11	°C	●				\$10,084.00
200744-12	°C	●	●			\$10,867.00
200744-14	°F	●		●		\$10,475.00
200744-16	°F	●	●	●		\$11,114.00
200744-18	°C	●		●		\$10,475.00
200744-20	°C	●	●	●		\$11,217.00
200744-21	°F	●			●	\$13,338.00
200744-22	°F	●		●	●	\$14,368.00
200744-31	°C	●			●	\$13,337.00
200744-32	°C	●		●	●	\$14,367.00

Radiometry temperature readouts available in either Fahrenheit (F) or Celsius (C) degrees.

EAGLE IMAGER 320

ACCESSORIES & TRUCK CHARGING SYSTEM



Eagle Imager 320 Thermal Imaging Camera (Spare and Replacement Parts, Case & Accessories)

Part Number	Description	Price
200199-01	Case & Accessories (includes parts marked by *)	\$928.00
200158-01	Spare NiMH battery *	\$153.00
40014453	Neck/shoulder strap *	\$51.00
31000283	Charging cradle *	\$342.00
31000366	AC adapter *	\$76.00
31000488	DC adapter *	\$108.00
200159-01	Side hand strap assembly (1)	\$28.00
200799-01	Germanium lens (Eagle Imager 320 camera)	\$424.00
31000219	Front rubber bumper	\$20.00
31000296	Rubber boot ring	\$16.00
31000348	Carrying case only (no accessories) *	\$324.00

Eagle Imager 320 Thermal Imaging Camera (Truck Charging System (TCS) & Accessories)

Part Number	Description	Price
200235-01	TCS assembly with 12 volt DC connector (includes the accessory parts listed below)	\$782.00
200235-02	TCS assembly with 110 volt AC connector (includes the accessory parts listed below)	\$799.00
40015093	Mounting kit for TCS	\$28.00
40014453	Camera neck/shoulder strap	\$51.00
200158-01	Spare battery	\$153.00

* These items are included in the carrying case.

Eagle Imager 320 Cameras Video Receiver Assembly

Part Number	Description	Price
40014832	2- channel receiver assembly w/dish mount antenna (includes parts below)	\$2,079.00
40014667	2 Channel Video Receiver	\$1,484.00
40014825	Tripod	\$95.00
40014827	12-ft. Cigarette Cord	\$53.00
40014828	Video Cable Assembly	\$44.00
40014980	2-channel receiver assembly w/magnetic mount antenna (includes parts below)	\$1,965.00
40014667	2 Channel Video Receiver	\$1,484.00
40014827	12-ft. Cigarette Cord	\$53.00
40014828	Video Cable Assembly	\$44.00
40014973	Mobile Antenna Assembly	\$296.00

Extended Warranty Protection for Eagle X and Eagle Imager 320 Cameras

Part Number	Description	Price
camerawar61	1 year extended warranty*	\$1,130.00

* Cameras are sold with an automatic one-year warranty at no charge. Extended warranties must be ordered at time of camera purchase.

EAGLE ATTACK

THERMAL IMAGING CAMERA CONFIGURATOR



Configurator	Bumper Color	List Price	Camera/Temp Option	List Price	Feature	List Price	Charger	List Price	Power Connector - DC connector option supplied with all AC connectors	List Price	Accessories	List Price
	R Red	N/C	1 Fahrenheit Grey Scale	\$5,799	0 Standard	N/C	0 No Charger	N/C	0 No Power Cord	N/C	1 Accessory Kit 1 *	N/C
	S Silver	N/C	2 Fahrenheit TAC	\$6,299	1 w/TVR	\$999	3 w/Charger	\$749	B North American Power Cord	\$15	2 Accessory Kit 2 **	\$175
	Y Yellow/Glow	\$25	3 Celsius Grey Scale	\$5,849					G UK	\$15	F Flashlight only	\$175
	K Black	N/C	4 Celsius TAC	\$6,349					C Europe - Germany/France	\$15	G Glare Shield Only	-\$45
									I Australia	\$15	L Lanyard Only	-\$28
										0 No Accessories	-\$73	
T I P Z B B K			L									








*Accessory Kit 1: Glare Shield and Lanyard

**Accessory Kit 2: Glare Shield, Lanyard, and Flashlight

Eagle Attack Accessories

Part Number	Description	Price
31000366	AC Adapter	\$76.00
31000409	Eagle Attack Germanium lens replacement	\$320.00
31002129	FLASHLIGHT, STREAMLIGHT TLR-1 - less rail	\$180.00
31002216	Eagle Attack Spare Eagle Attack TVR Download Cable - less pwr supply	\$85.00
31002265	ACCESSORY Light Rail	\$18.00
31002284	Eagle Attack Spare Eagle Attack TVR Dwnld power supply	\$30.00
40014635	DC Adapter	\$30.00
200977-01	Eagle Attack Charger - less cables	\$823.00
201021-01	Eagle Attack Lanyard	\$48.00
201026-01	Eagle Attack Spare Battery - Red	\$277.00
201026-03	Eagle Attack Spare Battery - Yellow/Glow	\$287.00
201026-04	Eagle Attack Spare Battery - Black	\$277.00
31001914-01	Eagle Attack Spare lens guard - Red	\$21.00
31001914-03	Eagle Attack Spare lens guard - Yellow/Glow	\$29.00
31001914-04	Eagle Attack Spare lens guard - Black	\$21.00
31001915-01	Eagle Attack Spare display guard - Red	\$30.00
31001915-03	Eagle Attack Spare display guard - Yellow/Glow	\$37.00
31001915-04	Eagle Attack Spare display guard - Black	\$30.00
31001915-11	Eagle Attack Glare Shield - Red	\$43.00
31001915-13	Eagle Attack Glare Shield - Yellow/Glow	\$50.00
31001915-14	Eagle Attack Glare Shield - Black	\$43.00
31001916-01	Eagle Attack Spare battery guard - Red	\$30.00
31001916-03	Eagle Attack Spare battery guard - Yellow/Glow	\$37.00
31001916-04	Eagle Attack Spare battery guard - Black	\$30.00
33324-014	ACCESSORY Light Screw	\$1.00
201008-01	Eagle Attack Charger Strap	\$33.00

COMMUNICATIONS SYSTEMS

Part Number	Part Number	Voice Amplification	Radio Interface	Mask mounted PTT	Paddle style PTT	Interface w/ Conspace System	Price
	200119-104	●	●		●		\$1,381.00
	200119-134	●	●		●		\$1,381.00
	200119-168	●	●		●		\$1,381.00
	200119-195	●	●		●		\$1,381.00
	805206-04		●	●			\$876.00
	805206-17		●	●			\$903.00
	805206-68		●	●			\$903.00
	805206-95		●	●			\$876.00
	805701-04		●		●		\$728.00
	805701-34		●		●		\$706.00
	805701-68		●		●		\$728.00
	805701-95		●		●		\$912.00
	804827-01		①	●			\$1,113.00
	805107-01				●		\$510.00
	200260-01	●					\$424.00
	200262-02	②	●		③		\$955.00
	200262-04	②	●		③		\$927.00
	200262-07	②	●		③		\$927.00
	200262-10	②	●		③		\$1,381.00

① when used with PN 805435-01*

② when used with PN 200261-01*

③ when used with PN 200725-01*

*next page

See Radio Identification Table for description of radio connectors. Consult factory to determine availability of connectors not listed. EPIC Brackets can be used on all Scott communications systems and must be ordered separately

Communications Systems Accessories

Part Number	Description	Price
805435-04	Talk-Around interface	\$467.00
805435-34	Talk-Around interface	\$454.00
805435-68	Talk-Around interface	\$454.00
805435-95	Talk-Around interface	\$701.00
200261-01	Voice amplifier/RI assembly	\$742.00

COMMUNICATIONS

KEY FOR IDENTIFYING CONNECTORS FOR 2-WAY RADIOS

EPIC Facepiece Bracket

Part Number	Description	Price
200715-01	AV-3000 communications bracket, right side	\$28.00
200716-01	AV-2000 communications bracket	\$28.00

EPIC Voice Amplifier and EPIC RI Wireless Communications System

Part Number	Description	Price
200260-01	Voice amplifier assembly	\$424.00
200261-01	Voice amplifier/RI assembly	\$742.00

Communications Ordering Matrix

Dash*	Radio Brand	Radio Model	EPIC RI Console (200262-XX)
-01	Motorola	MT1000, MTX 800 series	●
-02	Motorola	HT1000, XTS5000, XTS3000	●
-03	Motorola	Sabre QD	●
-04	Motorola	HT750, HT1250	●
-05	Motorola	Astro, Sabre, MX1000	●
-06	Motorola	Mototrbo XPR6300, 6350, 6500, 6550	●
-07	Kenwood	TK 280, 380, 290, 390	●
-08	Icon	IC-F50, IC-F60, IC-F60IS	●
-09	Icon	IC-F30GT/GS, F31GT/GS, F40GS	●
-10	MaCom	Jaguar; P7100, P5100	●
-11	Motorola	Radius GP300	●

Note: Add dash number for specific radio connection required; consult factory for radio connections not shown.

Communications Ordering Matrix

Dash*	Radio Brand	Radio Model	E-Z Radiocom I (805206-XX)	HAZMAT Radiocom Paddle PTT (805701-XX)	HAZMAT Radiocom Ring Finger (805702-XX)
-03	Motorola	GP88, GTX, LTS2000, Radius P110, P1225, Radius GP300	●	●	●
-04	Motorola	HT1000, XTS5000			
-17	Kenwood	TK320, TK340, TK350, TK353, TK240, TK248, TK250, TK260, TK270, TK360, TK370, TK430, FREETALK LINE	●	●	●
-34	Kenwood	TK 280, 290, 380, 390, 480, 481	●	●	●
-68	Motorola	GP328, HT1250, HT1550, HT750, Pro 5150	●	●	●

Note: Brackets for all communications systems must be ordered separately depending on whether the system will be used on an AV-2000 or AV-3000. X - Available for this model

NOTES

AV-3000

FACEPIECE









Select part numbers from this product line are part of the Scott FastTrax Program. Contact your Regional Manager or Scott Customer Service for more details.

TOP-DOWN CONVERTIBILITY™

The AV-3000 facepiece is fully interchangeable with Scott's full-line of SCBA, air-supplied respirators and air purifying respirators, as well as Scott's communications products providing "Top- Down Convertibility" options. It is designed to minimize equipment inventories, simplify the complexities of user training when issued as a single personal issue facepiece and reduce redundant facepiece fit tests.

AV-3000 Facepiece With SureSeal (Grey Nosecup) and Kevlar Head Harness

Part Number	Description	Pieces Per Pkg	Price
805773-81	Small Face seal, Small Nosecup 	1	\$294.00
805773-82	Medium Face seal, Medium Nosecup 	1	\$294.00
805773-83	Large Face seal, Large Nosecup 	1	\$294.00
805773-84	Small Face seal, Small Nosecup, Comm Bracket 	1	\$319.00
805773-85	Medium Face seal, Medium Nosecup, Comm Bracket 	1	\$319.00
805773-86	Large Face seal, Large Nosecup, Comm Bracket 	1	\$319.00



AV-3000 Facepiece with SureSeal and Kevlar Head Harness is NIOSH CBRN APR approved with 40 mm First Responder adapter and CBRN Cap-1 Canister, and with the C420 Plus CBRN PAPR as configured on page 72

AV-3000 Facepiece with SureSeal (Grey Nosecup) and Polyester Head Harness

Part Number	Description	Pieces Per Pkg	Price
805773-87	Small Face seal, Small Nosecup	1	\$220.00
805773-88	Medium Face seal, Medium Nosecup	1	\$220.00
805773-89	Large Face seal, Large Nosecup	1	\$220.00

AV-3000 Facepiece (Grey Nosecup) with Kevlar Head Harness

Part Number	Description	Pieces Per Pkg	Price
805773-71	Small Face seal, Small Nosecup	1	\$294.00
805773-72	Medium Face seal, Medium Nosecup	1	\$294.00
805773-73	Large Face seal, Large Nosecup	1	\$294.00

AV-3000 Facepiece (Grey Nosecup**) With Polyester Head Harness

Part Number	Description	Pieces Per Pkg	Price
805774-07	Small Face seal, Small Nosecup	1	\$220.00
805774-08	Medium Face seal, Medium Nosecup	1	\$220.00
805774-09	Large Face seal, Large Nosecup	1	\$220.00

AV-3000 Facepiece (Grey Nosecup**) With 4-Point Rubber Head Harness

Part Number	Description	Pieces Per Pkg	Price
805775-07	Small Face seal, Small Nosecup	1	\$220.00
805775-08	Medium Face seal, Medium Nosecup	1	\$220.00
805775-09	Large Face seal, Large Nosecup	1	\$220.00

AV-3000 Facepiece Lens Kits Accessories

Part Number	Description	Price
805753-01	AV-3000 Spectacle Kit Assembly	\$51.00
200372-52F	52mm Facepiece Lens Kits (Frame Only for Prescription)	\$115.00
200372-60F	60mm Facepiece Lens Kits (Frame Only for Prescription)	\$115.00

AV-3000 Facepiece with SureSeal Install Kits

Part Number	Description	Price
200844-81	Field Install Kit, AV-3000 SureSeal, Kevlar, Small	\$181.00
200844-82	Field Install Kit, AV-3000 SureSeal, Kevlar, Medium	\$181.00
200844-83	Field Install Kit, AV-3000 SureSeal, Kevlar, Large	\$181.00

**** NOTE:**

Facepieces with black nose cups will be discontinued in 2012, replaced by identical facepieces with grey nose cups. Note that facepieces with grey nose cups (listed above) have different part numbers than facepieces with black nose cups.

Facepieces currently in use with black nose cups can be converted to grey nose cups. To confirm that your facepiece can be converted, or for conversion instructions, please contact Scott Technical Support at 1-800-247-7257 or ScottTechSupport@tycoint.com. Changing from the black nose cup to the grey nose cup does not require an additional fit test.

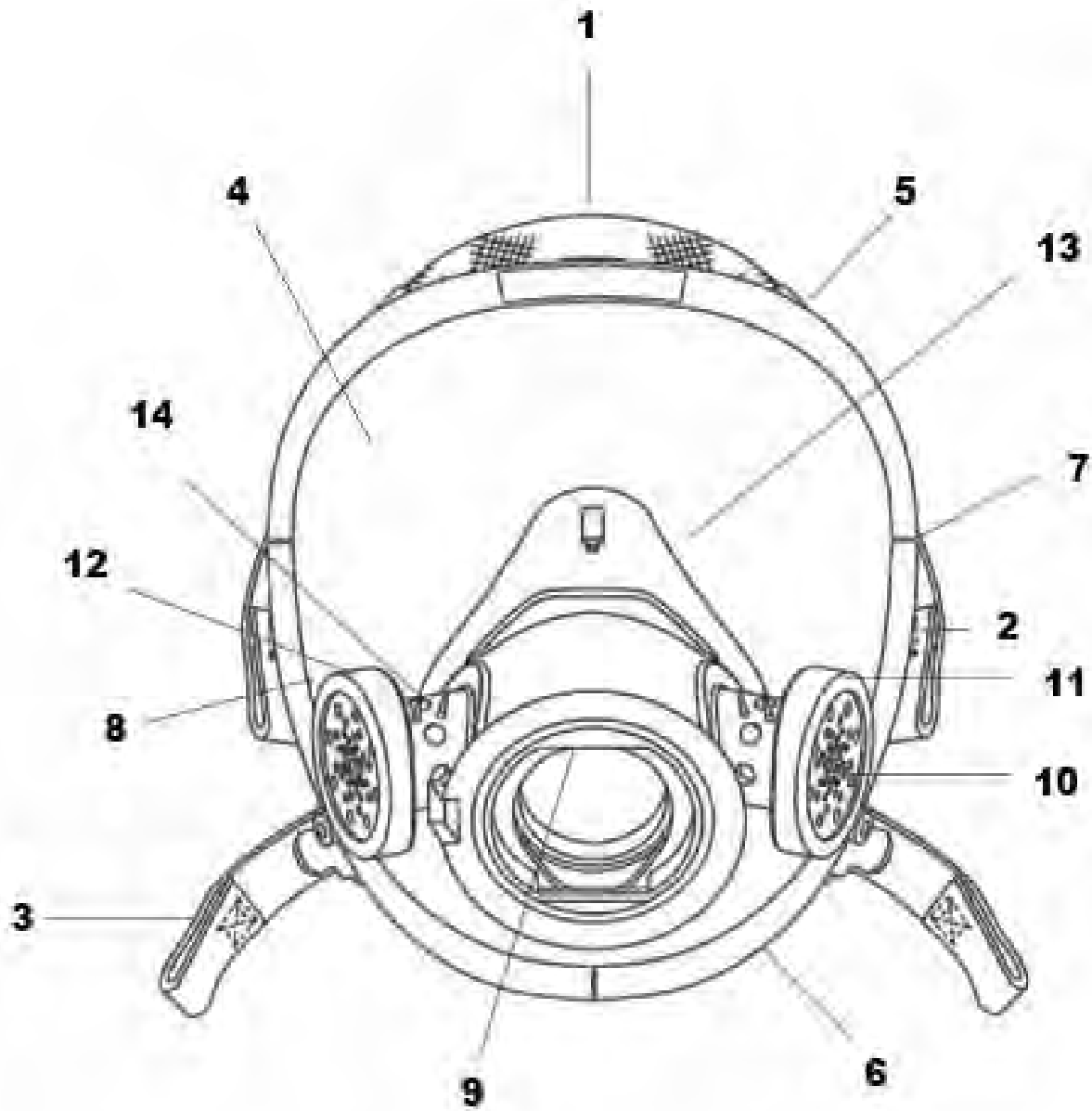
AV-3000 Facepiece Part & Accessories

Item Number	Description	Pieces Per Pkg	Part Number	Price
1	<i>HEAD HARNESES</i>			
1a	Kevlar Head Harness SM/MED (AV-3000)	1	805808-01	\$164.00
1b	Kevlar Head Harness LARGE (AV-3000)	1	805808-02	\$164.00
1c	Kevlar Head Harness (AV-3000 SureSeal)	1	200803-01	\$160.00
1d	Polyester Head Harness SM/MED (AV-3000)	1	805809-01	\$74.00
1e	Polyester Head Harness LARGE (AV-3000)	1	805809-02	\$74.00
1f	Polyester Head Harness (AV-3000 SureSeal)		200965-01	\$74.00
1g	Rubber Head Harness, 4 pt (AV-3000)	1	200177-01	\$64.00
2	<i>TEMPLE STRAPS (Fit AV-3000 and AV-3000 SureSeal)</i>			
2a	Kevlar Temple Strap	1	804178-01	\$23.00
2b	Polyester Temple Strap	1	804061-01	\$18.00
3	<i>NECK STRAPS (Fit AV-3000 and AV-3000 SureSeal)</i>			
3a	Kevlar Neck Strap	1	804176-01	\$23.00
3b	Polyester Neck Strap	1	803920-02	\$18.00
4	<i>AV-3000 Facepiece Lens (Fenestra, Drilled)</i>	1	805345-01	\$119.00
5	Upper Bezel	1	10011024	\$8.00
6	Lower Bezel	1	10011025	\$12.50
7	Bezel Screw	1	33335-022	\$2.50
8	<i>FACEPIECE SEALS</i>			
8a	AV-3000 SureSeal, FaceSeal, Small	1	200802-01	\$156.00
8b	AV-3000 SureSeal, FaceSeal, Medium	1	200802-02	\$156.00
8c	AV-3000 SureSeal, FaceSeal, Large	1	200802-03	\$156.00
8d	AV-3000 Faceseal Small	1	805771-01	\$138.00
8e	AV-3000 Faceseal Medium	1	805771-02	\$138.00
8f	AV-3000 Faceseal Large	1	805771-03	\$138.00
9	<i>Nosecup Retaining Ring (Not for Use on Grey Nosecup)</i>	1	10011015	\$5.70
10	Voicemitter	1	803759-01	\$18.00
11	Left Voicemitter Duct	1	10011027	\$6.30
12	Right Voicemitter Duct	1	10011026	\$6.30
13	<i>NOSECUPS** (Fit AV-3000 and AV-3000 Sure Seal)</i>			
13a	Nosecup Grey Small	1	31001043	\$39.00
13b	Nosecup Grey Medium	1	31001044	\$39.00
13c	Nosecup Grey Large	1	31001045	\$39.00
14	Inhalation Check Valve Disk	1	10011014	\$3.10
not shown	Fleece Facepiece Bag	1	805534-01	\$25.00
not shown	EPIC Communications Clamp, Right Side Only		200715-01	\$28.00

**** NOTE:**

Facepieces with black nose cups will be discontinued in 2012, replaced by identical facepieces with grey nose cups. Note that facepieces with grey nose cups (listed above) have different part numbers than facepieces with black nose cups.

Facepieces currently in use with black nose cups can be converted to grey nose cups. To confirm that your facepiece can be converted, or for conversion instructions, please contact Scott Technical Support at 1-800-247-7257 or ScottTechSupport@tycoint.com. Changing from the black nose cup to the grey nose cup does not require an additional fit test.



AV-2000

FACEPIECE







Select part numbers from this product line are part of the Scott FastTrax Program. Contact your Regional Manager or Scott Customer Service for more details.

TOP-DOWN CONVERTIBILITY™

The AV-2000 facepiece is fully interchangeable with Scott's full-line of SCBA, air-supplied respirators and air purifying respirators, as well as Scott's communications products providing "Top-Down Convertibility" options. It is designed to minimize equipment inventories, simplify the complexities of user training when issued as a single personal issue facepiece and reduce redundant facepiece fit tests.

AV-2000 Facepiece with Kevlar Head Harness**

Part Number	Description	Pieces Per Pkg	Price
804191-71	Small Faceseal, Grey Nosecup 	1	\$294.00
804191-72	Large Faceseal, Grey Nosecup 	1	\$294.00
804191-73	X-Large Faceseal, Grey Nosecup 	1	\$294.00
804191-74	Comfort Seal Faceseal, Grey Nosecup 	1	\$294.00



AV-2000 Facepiece with SureSeal and Kevlar Head Harness is NIOSH CBRN APR approved with 40 mm First Responder adapter and CBRN Cap-1 Canister, and with the C420 Plus CBRN PAPR as configured on page 72

AV-2000 Facepiece with Polyester Head Harness**

Part Number	Description	Pieces Per Pkg	Price
804069-19	Small Faceseal, Grey Nosecup	1	\$220.00
804069-20	Large Faceseal, Grey Nosecup	1	\$220.00
804069-21	X-Large Faceseal, Grey Nosecup	1	\$220.00
804069-28	Comfort Seal Faceseal, Grey Nosecup	1	\$220.00

AV-2000 Facepiece with 4-Point Rubber Head Harness**

Part Number	Description	Pieces Per Pkg	Price
805257-19	Small Faceseal, Grey Nosecup	1	\$220.00
805257-20	Large Faceseal, Grey Nosecup	1	\$220.00
805257-21	X-Large Faceseal, Grey Nosecup	1	\$220.00
805257-28	Comfort Seal Faceseal, Grey Nosecup	1	\$220.00

AV-2000 Facepiece Lens Kits Accessories

Part Number	Description	Price
804442-01	Eyeglass Kit	\$56.00
200371-52F	52mm Facepiece Lens Kits (Frame Only for Prescription)	\$115.00
200371-60F	60mm Facepiece Lens Kits (Frame Only for Prescription)	\$115.00

** NOTE:

Facepieces with black nose cups will be discontinued in 2012, replaced by identical facepieces with grey nose cups. Note that facepieces with grey nose cups (listed above) have different part numbers than facepieces with black nose cups.

Facepieces currently in use with black nose cups can be converted to grey nose cups. To confirm that your facepiece can be converted, or for conversion instructions, please contact Scott Technical Support at 1-800-247-7257 or ScottTechSupport@tycoint.com. Changing from the black nose cup to the grey nose cup does not require an additional fit test.

AV-2000 Facepiece Part & Accessories

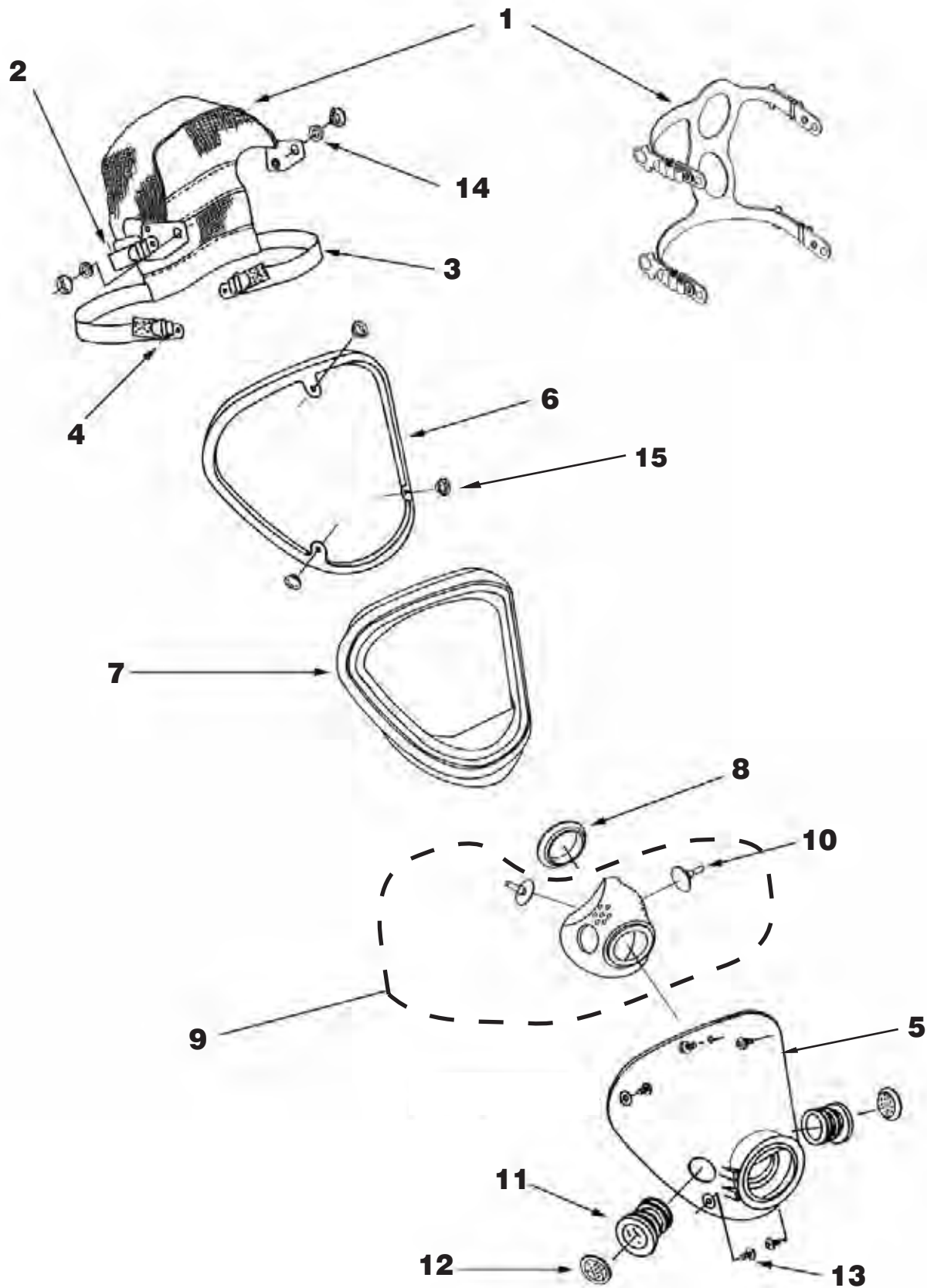
Item Number	Description	Pieces Per Pkg	Part Number	Price
1	<i>HEAD HARNESES</i>			
1a	Kevlar Head Harness Assembly	1	804177-01	\$169.00
1b	Polyester Head Harness Assembly	1	804063-01	\$75.00
1c	4-Point Rubber Head Harness Assembly	1	805259-01	\$63.00
2	<i>TEMPLE STRAPS</i>			
2a	Kevlar Temple Strap	1	804178-01	\$23.00
2b	Polyester Temple Strap	1	804061-01	\$18.00
3	<i>NECK STRAPS</i>			
3a	Kevlar Neck Strap	1	804176-01	\$23.00
3b	Polyester Neck Strap	1	803920-01	\$18.00
4	Lower Buckle Strap	1	803732-01	\$6.80
5	<i>AV-2000 FACEPIECE LENS</i>			
5a	AV-2000 Facepiece Lens (for grey nosecup)	1	804018-04	\$57.50
6	Lens Frame	1	10008068	\$12.50
7	<i>FACEPIECE SEALS</i>			
7a	Facesal, Small (Green)	1	10005913	\$45.00
7b	Facesal, Large (Black)	1	10005135	\$45.00
7c	Facesal, X-Large (Red)	1	10006212	\$45.00
7d	Facesal, Comfort Seal (Black)	1	10009779	\$45.00
8	Nosecup Retaining Ring	1	10008398	\$3.70
9	<i>NOSECUP ASSEMBLY**</i>			
9a	AV-2000 Facepiece Nosecup Assembly, Grey	1	31001256	\$50.00
Not shown	AV-2000 Nosecup Conversion Kit*	1	200766-01	\$52.00
11	Voicemitter Duct	1	10008400	\$8.00
12	Voicemitter	1	804010-01	\$14.00
Not shown	Fleece Facepiece Bag	1	805534-01	\$25.00
Not shown	Protective Lens Cover	25	803941-25	\$63.00
Not shown	EPIC Communications Clamp, Right (AV-2000)	1	200716-01	\$28.00

* Upgrade to grey nosecup (included in kit): Only for AV-2000 facepieces manufactured after 2004 (Lot # 050104 or later date indicated on label in chin area)

** NOTE:

Facepieces with black nose cups will be discontinued in 2012, replaced by identical facepieces with grey nose cups. Note that facepieces with grey nose cups (listed above) have different part numbers than facepieces with black nose cups.

Facepieces currently in use with black nose cups can be converted to grey nose cups. To confirm that your facepiece can be converted, or for conversion instructions, please contact Scott Technical Support at 1-800-247-7257 or ScottTechSupport@tycoint.com. Changing from the black nose cup to the grey nose cup does not require an additional fit test.



WELD-O-VISTA

FACEPIECE ASSEMBLIES



Select part numbers from this product line are part of the Scott FastTrax Program. Contact your Regional Manager or Scott Customer Service for more details.

TOP-DOWN CONVERTIBILITY™

The Weld-O-Vista facepiece is fully interchangeable with Scott's full-line of SCBA, air-supplied respirators and air purifying respirators, as well as Scott's communications products providing "Top-Down Convertibility" options. It is designed to minimize equipment inventories, simplify the complexities of user training when issued as a single personal issue facepiece and reduce redundant facepiece fit tests.

Weld-O-Vista Facepiece with Kevlar Head Harness

Part Number	Description	Pieces Per Pkg	Price
805438-01	Small Face Seal	1	\$373.00
805438-02	Large Face Seal	1	\$373.00
805438-03	X-Large Face Seal	1	\$373.00
805438-08	Comfort Seal Face Seal	1	\$373.00

Weld-O-Vista Facepiece with 4-Point Rubber Head Harness

Part Number	Description	Pieces Per Pkg	Price
805438-21	Small Face Seal	1	\$319.00
805438-22	Large Face Seal	1	\$319.00
805438-23	X-Large Face Seal	1	\$319.00
805438-28	Comfort Seal Face Seal	1	\$319.00

Weld-O-Vista Facepiece with Kevlar Head Harness and Welding Hood

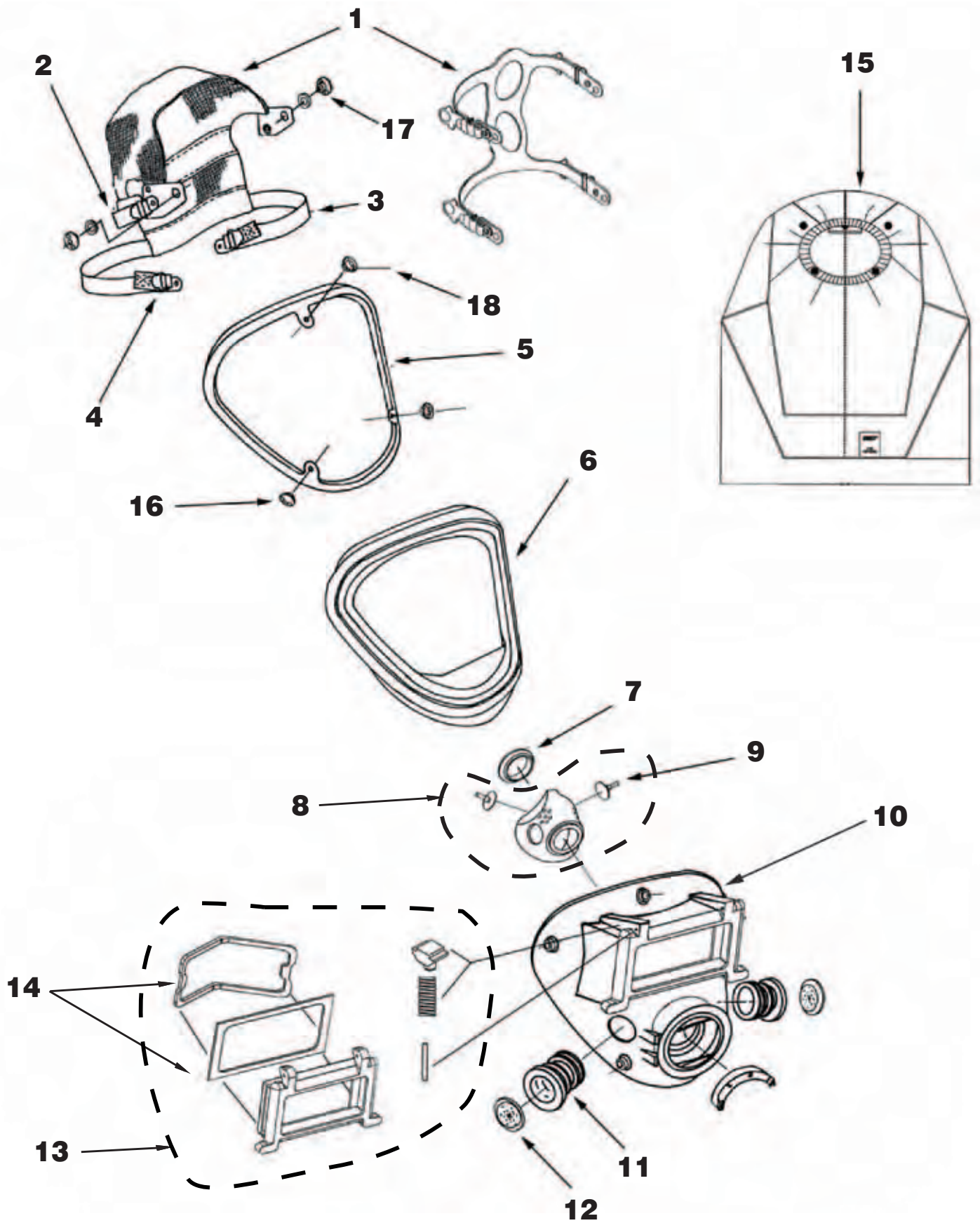
Part Number	Description	Pieces Per Pkg	Price
805438-41	Small Face Seal	1	\$514.00
805438-42	Large Face Seal	1	\$514.00
805438-43	X-Large Face Seal	1	\$514.00
805438-48	Comfort Seal Face Seal	1	\$514.00

Weld-O-Vista Facepiece Lens Kits Accessories

Part Number	Description	Price
804442-01	Eyeglass Kit	\$56.00
200371-52F	52mm Facepiece Lens Kits (Frame Only for Prescription)	\$115.00
200371-60F	60mm Facepiece Lens Kits (Frame Only for Prescription)	\$115.00

Weld-O-Vista Facepiece Part & Accessories

Item Number	Description	Pieces Per Pkg	Part Number	Price
1	<i>HEAD HARNESES</i>			
1a	Kevlar Head Harness Assembly	1	804177-01	\$169.00
1b	4-Point Rubber Head Harness Assembly	1	805259-01	\$63.00
2	<i>TEMPLE STRAPS</i>			
2a	Kevlar Temple Strap	1	804178-01	\$23.00
3	<i>NECK STRAPS</i>			
3a	Kevlar Neck Strap	1	804176-01	\$23.00
4	Lower Buckle Strap	1	803732-01	\$6.80
5	Lens Frame	1	10008068	\$12.50
6	<i>FACEPIECE SEALS</i>			
6a	Faceseal, Small (Green)	1	10005913	\$45.00
6b	Faceseal, Large (Black)	1	10005135	\$45.00
6c	Faceseal, X-Large (Red)	1	10006212	\$45.00
6d	Faceseal, Comfort Seal (Black)	1	10009779	\$45.00
7	Nosecup Retaining Ring	1	10008398	\$3.70
8	Nosecup Assembly	1	804014-01	\$100.00
10	<i>LENS ACCESSORIES</i>			
10a	Lens Accessories w/Nosecup & Voicemitter, EPDM	1	805574-01	\$247.00
10b	Weld-O-Vista Lens Assembly Kit	1	805537-01	\$192.00
11	Voicemitter Duct	1	10008400	\$8.00
12	Voicemitter	1	804010-01	\$14.00
13	Lens Holder Assembly	1	805182-02	\$53.00
14	Lens Separator & Lens Retainer Kit	1	805536-01	\$10.00
15	Weld-O-Vista Facepiece Hood Installation Kit	1	805289-03	\$187.00
18	Weld-O-Vista Facepiece Integrated Snap & Nut	1	10010978	\$8.00
Not Shown	Fleece Facepiece Bag	1	805534-01	\$25.00



PROMASK 25

FACEPIECE



Select part numbers from this product line are part of the Scott Fast Trax Program. Contact your Regional Manager or Scott Customer Service for more details.

Promask 25 Facepiece with Rubber Head Harness

Part Number	Description	Pieces Per Pkg	Price
013024	Polycarbonate Lens, Reg	1	\$131.00
013063	Hard Coated Lens, Reg	1	\$191.00
013027	Polycarbonate Lens, Small	1	\$131.00
013067	Hard Coated Lens, Small	1	\$191.00

Promask 25 Facepiece with Polyester Head Harnes

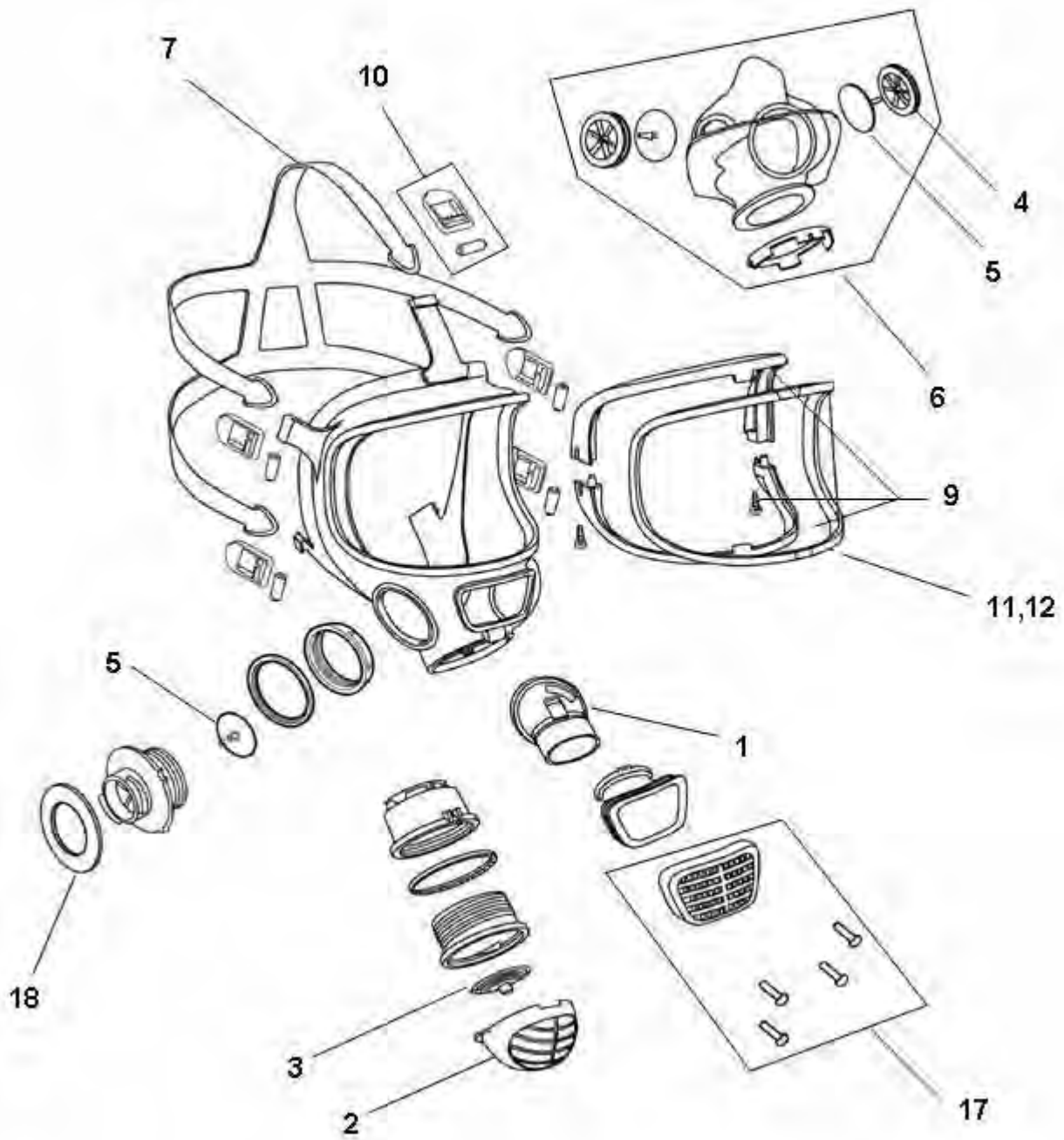
Part Number	Description	Pieces Per Pkg	Price
013023	Polycarbonate Lens, Reg	1	\$131.00
013064	Hard Coated Lens, Reg	1	\$191.00
013028	Polycarbonate Lens, Small	1	\$131.00
013068	Hard Coated Lens, Small	1	\$191.00

Promask 25 Facepiece Lens Kits Acessories

Part Number	Description	Pieces Per Pkg	Price
012798	Spectacle Kit		\$19.00
200373-52F	52mm Facepiece Lens Kits (Frame Only for Prescription)		\$115.00
200373-60F	60mm Facepiece Lens Kits (Frame Only for Prescription)		\$115.00

Promask 25 Facepiece Part & Accessories

Item Number	Description	Pieces Per Pkg	Part Number	Price
1	Speech Diaphragm Assembly Kit	1	012778	\$14.00
2	Exhalation Valve Cover	1	012688	\$7.40
3	Exhalation Valve Disc	1	013374	\$7.00
4	Nosecup Valve Seats	2	012773	\$5.00
5	Valve Discs	4	012774	\$11.00
6	Nosecup with Fastening Ring	1	012776	\$34.50
7	Head Harness, EPDM (less buckles)	1	012692	\$28.00
8	Head Harness, Poly (less buckles) (not shown)	1	012775	\$28.00
9	Visor Frame Set (Top, Bottom, 2 Screws)	1	012693	\$11.50
10	Harness Buckles	5	012694	\$8.00
11	Visor	1	012695	\$30.30
12	Visor (Hard Coated)	1	012795	\$94.10
17	Speech Channel Cover Kit	1	012779	\$13.90
Not shown	Protective Lens Covers	10	012698	\$30.30
Not shown	Fleece Facepiece Bag	1	805534-01	\$25.00







M110


CBRN DUAL LENS FACEPIECE



M110 CBRN Dual Lens Facepiece

Part Number	Description	Price
013262	Medium/Large 	\$250.00
013282	Medium/Large with Drinking Device 	\$276.00
013242	Small 	\$250.00
013222	Small with Drinking Device 	\$276.00

Canister

Part Number	Description	Price
045135	CBRN CAP 1 Canister 	\$48.50
805557-01	MPC Plus Cartridge	\$21.60
052683	P100 Cartridge	\$10.40
045123	Enforcement Cartridge	\$32.00

Accessories

Part Number	Description	Price
012798	Spectacle Kit	\$19.00
200374-54F	54mm Facepiece Lens Kits (Frame Only for Prescription)	\$115.00
012593	Drinking Bottle	\$27.00
012592	Speech Diaphragm	\$6.00
10011882	Tactical Facepiece Bag with Belt Mounting	\$69.00
10012151	Shoulder Strap for Tactical Facepiece Bag	\$20.00
10012152	Leg Strap for Tactical Facepiece Bag	\$12.00
805534-01	Fleece Facepiece Bag	\$25.00

Replacement Parts

Part Number	Description	Pieces Per Pkg	Price
012577	Exhalation valve set assembly	1	\$5.50
012774	Inhalation valve discs, set of four (4)	4	\$11.00
013372	Inhalation valve seats, set of two (2)	2	\$9.00
012574	Nose cup for regular M110	1	\$36.60
012575	Nose cup for small M110	1	\$36.60
012773	Nose cup valve seats, set of two (2)	2	\$5.00
012598	Head harness	1	\$28.00
012592	Speech diaphragm plug	8	\$6.00
012594	Mouthpiece, drinking device (if equipped)	1	\$6.00
012597	Lid, drinking device (if equipped)	10	\$7.00





CBRN approved when used with Cap 1 Canister

M120


CBRN FACEPIECE



M120 CBRN Facepiece

Part Number	Description	Price
013013	Medium/Large 	\$250.00
013014	Small 	\$250.00

Canister

Part Number	Description	Price
045135	CBRN CAP 1 Canister 	\$48.50
805557-01	MPC Plus Cartridge	\$21.60
052683	P100 Cartridge	\$10.40
045123	Enforcement Cartridge	\$32.00

Accessories

Part Number	Description	Price
012798	Spectacle Kit	\$19.00
10011882	Tactical Facepiece Bag with Belt Mounting	\$72.00
10012151	Shoulder Strap for Tactical Facepiece Bag	\$20.00
10012152	Leg Strap for Tactical Facepiece Bag	\$12.00
805534-01	Fleece Facepiece Bag	\$25.00

Replacement Parts

Part Number	Description	Price
012577	Exhalation Valve Set Assembly	\$6.00
013372	Inhalation Valve Seats (EPDM), Set of two (2)	\$9.00
012773	Nosecup Valve Seats, set of two (2)	\$5.00
012774	Valve Discs, set of four (4)	\$11.00
012776	Nosecup w/Fastening Ring	\$34.50
012692	Head harness (ribbed)	\$28.00
013377	40mm Plug	\$2.80
012694	Harness Buckles, set of five (5)	\$8.00



The M120 Facepiece is NIOSH CBRN APR approved with the CBRN Cap-1 canister, and with the C420 Plus CBRN PAPR as configured on page 72

XCEL HALFMASK

ASSEMBLIES



Select part numbers from this product line are part of the Scott Fast Trax Program. Contact your Regional Manager or Scott Customer Service for more details.

Xcel Half-Mask Assembly

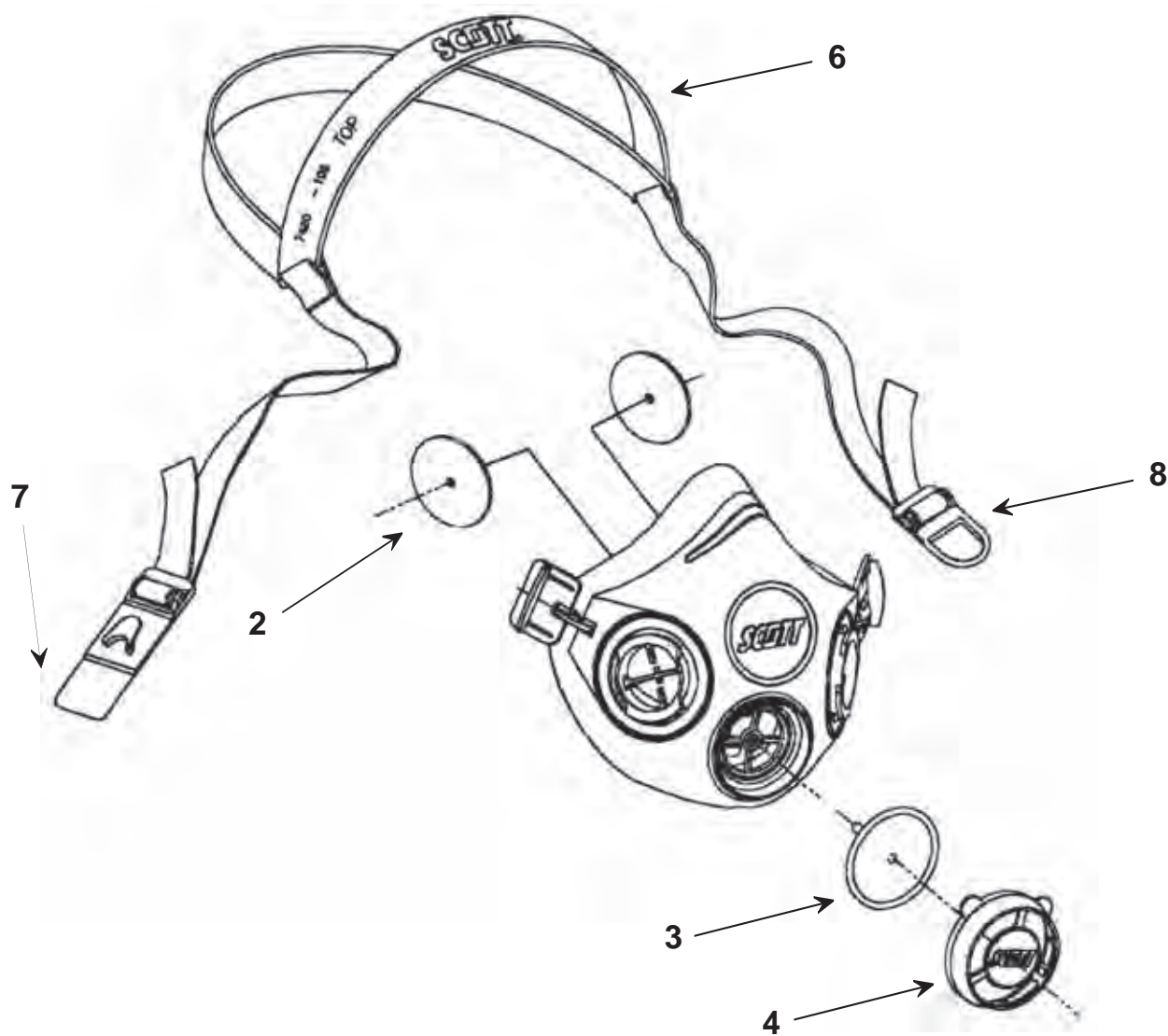
Part Number	Description	Pieces Per Pkg	Price
7421-111	Xcel Halfmask, Small	1	\$31.00
7421-112	Xcel Halfmask, Small/Medium	1	\$31.00
7421-113	Xcel Halfmask, Medium/Large	1	\$31.00
7421-114	Xcel Halfmask, Large	1	\$31.00
7421-111V	Xcel Halfmask with Voicemitter, Small	1	\$37.00
7421-112V	Xcel Halfmask with Voicemitter, Small/Medium	1	\$37.00
7421-113V	Xcel Halfmask with Voicemitter, Medium/large	1	\$37.00
7421-114V	Xcel Halfmask with Voicemitter, Large	1	\$37.00
7421-411V	Xcel HS Halfmask, Small, with Voicemitter	1	\$37.00
7421-412V	Xcel HS Halfmask, Small/Medium, with Voicemitter	1	\$37.00
7421-413V	Xcel HS Halfmask, Medium/Large, with Voicemitter	1	\$37.00
7421-414V	Xcel HS Halfmask, Large, with Voicemitter	1	\$37.00
7421-511V	Xcel HS Halfmask, Small (Case of 20), with Voicemitter	1	\$716.00
7421-512V	Xcel HS Halfmask, Small/Medium (Case of 20), with Voicemitter	1	\$716.00
7421-513V	Xcel HS Halfmask, Medium/Large (Case of 20), with Voicemitter	1	\$716.00
7421-514V	Xcel HS Halfmask, Large (Case of 20), with Voicemitter	1	\$716.00

Accessories

Part Number	Description	Pieces Per Pkg	Price
7422-FT1	Quantitative Fit Test Adapter Kit	1	\$43.90
7421-PF1	Xcel Halfmask, Probed, Small	1	\$48.00
7421-PF2	Xcel Halfmask, Probed, Small/Medium	1	\$48.00
7421-PF3	Xcel Halfmask, Probed, Medium/Large	1	\$48.00
7421-PF4	Xcel Halfmask, Probed, Large	1	\$48.00
200915-01	Filter Covers for 742 Series P100, Pair	1	\$7.80
200915-70	Filter Covers for 742 Series P100, 70 Pair	1	\$502.00

Replacement Parts

Item Number	Description	Pieces Per Pkg	Part Number	Price
2	Inhalation Valve (Set of 4)	4	200211-01	\$12.00
3	Exhalation Valve	1	13870-00	\$6.00
4	Exhalation Valve Cover	10	10011094	\$1.70
6-8	Head Harness Assembly	1	7420-108	\$9.00
7	Head Harness Clip	10	10011095	\$1.25
8	Head Harness D-Ring	10	10011096	\$1.25



PROFLOW 3

POWERED AIR PURIFYING RESPIRATOR



Proflo 3 Powered Air Purifying Respirator (PAPR)

Part Number	Description	Price
805820-01	Proflo 3 PAPR blower unit with nylon waistbelt integrated rechargeable battery, and single unit charger (Breathing tube not included)	\$1,021.00

Proflo 3 Powered Air Purifying Respirator Breathing Tubes

Part Number	Description	Price
31001207	Breathing Tube (36") for hoods	\$50.00
064073	Breathing tube (for butyl hood)	\$38.00

Proflo 3 Powered Air Purifying Respirator Hoods

Part Number	Description	Price
200676-01	FH22 double bib hood (each)	\$46.50
200676-02	FH22 double bib hood (3/pack)	\$130.00
31001429	FH2 hood (each)	\$44.00
200218-01	Butyl hood kit (small) with breathing tube included	\$340.00
200218-02	Butyl hood kit (large) with breathing tube included	\$340.00

Proflo 3 Powered Air Purifying Cartridges and Canisters

Part Number	Description	Price
045170	MPC40PF Cartridge	\$23.70
045123	Enforcement cartridge	\$32.00
052683	P100/HEPA cartridge	\$10.40

Proflo 3 Powered Air Purifying Respirator Accessories

Part Number	Description	Price
063791	Spare single charger	\$156.00
063748	Proflo 3 Battery, Rechargeable, NIMH	\$170.00
064072	Nylon textile waistbelt	\$20.00
064074	Smooth PVC belt	\$22.00
31000578	Proflo PAPR Carrying Bag	\$38.00
200677-03	Hose Shrouds (3/pack)	\$33.00
2016236	Support Washer (5/pack)	\$8.80
2017491	Lock Nut (5/pack)	\$9.00

PROFLOW 2

POWERED AIR PURIFYING RESPIRATOR



Proflow 2 Powered Air Purifying Respirator (PAPR)

	Blower + Rechargeable Battery	Nylon Textile Belt	31" Breathing Tube	Charger	Facepiece Adapter (For use with AV-Facepieces) **	Price
Part Number	064081	064072	064077	063791	805059-01	
064087	●	●	●			\$796.00
805810-03	●	●	●	●		\$945.00
805810-01	●	●	●	●	●	\$981.00

** Facepiece adapter is needed if using AV-style facepieces; not needed if using M120 facepiece.

Proflow 2 Powered Air Purifying Respirator Breathing Tubes

Part Number	Description	Price
064077	Breathing tube (for facepieces), standard 31 inch	\$44.00
064079	Breathing tube (for facepieces) extra long 39 inch	\$44.00

Proflow 2 Powered Air Purifying Respirator Facepieces

Part Number	Description	Price
See Page 53	AV-3000*	
See Page 57	AV-2000	
See page 67	M120	
See page 66	M110	

* NIOSH approval pending for certain AV-3000 facepieces

Proflow 2 Powered Air Purifying Cartridges and Canisters

Part Number	Description	Price
045123	Enforcement cartridge	\$32.00
052683	P100/HEPA cartridge	\$10.40
045170	MPC40PF Cartridge	\$23.70

Proflow 2 Powered Air Purifying Respirator Accessories

Part Number	Description	Price
063791	Spare single charger	\$156.00
063548	Proflow Battery, Rechargeable, NIMH	\$156.00
064072	Nylon textile waistbelt	\$20.00
064074	Smooth PVC belt	\$20.00
31000578	Proflow PAPR Carrying Bag	\$38.00
805059-01	40mm adapter for AV Series facepieces	\$42.00

C420 PLUS

POWERED AIR PURIFYING



C420 Plus

	Blower	LiSO2 Battery	Decon Belt	30" CBRN Breathing Tube (use with M120)	36" CBRN Breathing Tube (use with M120)	30" CBRN AV-PAPR Hose (Use with AV-Facepieces*)	36" CBRN AV-PAPR Hose (Use with AV-Facepieces*)	Price
Part No:	200699-01	805358	805359-01	200700-30	200700-36	200829-30	200829-36	

C420 Plus PAPR Blowers:

200699-01	●							\$949.00
200698-00	●		●					\$998.00

C420 CBRN** PAPR Kits:

For use with M120 Facepiece (sold separately)

200698-30	●		●	●				\$1,082.00
200698-36	●		●		●			\$1,082.00
200710-30	●	●	●	●				\$1,175.00
200710-36	●	●	●		●			\$1,175.00

For use with AV 2000 and AV-3000 SureSeal (sold separately)

200830-30	●		●			●		\$1,006.00
200830-36	●		●				●	\$1,006.00
200833-30	●	●	●			●		\$1,175.00
200833-36	●	●	●				●	\$1,175.00

**The C420 Plus PAPR is also approved for NIOSH non-CBRN applications; Additional configurations are available

* No facepiece adapter is needed with any of these kit configurations

CBRN Canister:

Part Number	Description	Price
045135	CBRN Cap-1 Canister 	\$48.50

Other NIOSH approved canisters:

Part Number	Description	Price
045170	MPC40PF	\$23.70
045123	Enforcement Cartridge	\$32.00
052683	HEPA/P100 Filter	\$10.40

C420 Plus Powered Air Purifying Respirators (PAPR) Parts & Accessories

Item Number	Description	Pieces Per Pkg	Part Number	Price
<i>FACEPIECE</i>		See pages 53-67		
	M120	1	See Pg 67	
	AV-3000 with SureSeal with Kevlar Head Harness	1	See Pg 53	
	AV-2000 with Grey Nosecup and Kevlar Head Harness	1	See Pg 57	
<i>BREATHING TUBES</i>				
	30" Breathing Tube for M120	1	200700-30	\$114.00
	36" Breathing Tube for M120	1	200700-36	\$114.00
	30" AV-PAPR Breathing Tube for approved AV-Facepieces	1	200829-30	\$157.00
	36" AV-PAPR Breathing Tube for approved AV-Facepieces	1	200829-36	\$157.00
<i>C420 PLUS PAPR BLOWER UNIT</i>				
	C420 Plus PAPR Blower Kit (Blower, decon belt, airflow indicator)	1	200698-00	\$998.00
	C420 Plus PAPR Blower only	1	200699-01	\$949.00
	Decontamination Belt	1	805359-01	\$63.00
	Airflow Indicator	1	805374-01	\$35.00
<i>BATTERIES, C420 Plus</i>				
	LiSO2 Battery	1	805358-01	\$110.00
	(Black) End cap for LiSO2 Battery		31002361	\$26.50
	NiMH Rechargeable Battery Conversion Kit, (Single Bank Charger, NiMH Battery, End Cap)	1	200701-01	\$420.00
	NiMH Rechargeable Battery Pack	1	31001504	\$188.00
	(Green) End Cap for NiMH Rechargeable Battery	1	31001506	\$20.00
	Single Unit Battery Recharger	1	200703-01	\$230.00
<i>AV-NBC SHROUDS</i> ⓘ				
	AV-2000 NBC Shroud with Installation Kit	1	805289-04	\$311.00
	AV-2000 NBC Shroud	1	805514-01	\$274.00
	AV-3000 NBC Shroud	1	200219-01	\$252.00
<i>CARRY CASE</i>				
	PAPR - Hard Carry Case	1	31002221	\$220.00
<i>CARTRIDGES AND CANISTERS</i>			See Previous Page	

ⓘ The AV-NBC SHROUD is NIOSH approved as an accessory

742 SERIES

FILTERS & CARTRIDGES



Select part numbers from this product line are part of the Scott FastTrax Program. Contact your Regional Manager or Scott Customer Service for more details.

742 Series Twin Filter and Chemical Cartridges

Part Number	Description	Pieces Per Pkg	Price
7422-BA1	Organic Vapor	1 Pair	\$10.60
7422-BB1	Organic Vapor/P100	1 Pair	\$20.90
7422-BC1	Organic Vapor Plus	1 Pair	\$13.40
7422-BD1	Organic Vapor / P100 Plus	1 Pair	\$23.70
7422-CD1	Tear Gas /P100	1 Pair	\$23.70
7422-FP1	P100 Filter	1 Pair	\$10.00
7422-FP4	P100 Filter (Carton of 80 Pairs)	80 pairs	\$780.00
7422-GA1	Ammonia/Methylamine	1 Pair	\$10.90
7422-GB1	Ammonia/Methylamine/P100	1 Pair	\$20.90
7422-GC1	Ammonia/Methylamine/Plus	1 Pair	\$19.60
7422-GD1	Ammonia / Methylamine / P100 Plus	1 Pair	\$30.90
7422-IA1	Formaldehyde	1 Pair	\$14.40
7422-IB1	Formaldehyde/P100	1 Pair	\$24.70
7422-PD1	TEDA-P100	1 Pair	\$29.90
7422-SC1	Multi-Purpose	1 Pair	\$11.70
7422-SD1	Multi-Purpose / P100	1 Pair	\$20.60
7422-WA1	Acid Gas	1 Pair	\$10.60
7422-WB1	Acid Gas/P100	1 Pair	\$20.90
7422-WC1	Acid Gas Plus	1 Pair	\$13.40
7422-WD1	Acid Gas/P100 Plus	1 Pair	\$23.70
7422-YC1	Organic Vapor/ Acid Gas	1 Pair	\$10.00
7422-YD1	Organic Vapor / Acid Gas / P100	1 Pair	\$20.90
7422-ZA1	Mercury Vapor/Chlorine Gas	1 Pair	\$22.00
7422-ZB1	Mercury Vapor/Chlorine Gas/P100	1 Pair	\$33.10



Select part numbers from this product line are part of the Scott Fast Trax Program. Contact your Regional Manager or Scott Customer Service for more details.

631 CHIN & 40mm

CANISTERS




Select part numbers from this product line are part of the Scott Fast Trax Program. Contact your Regional Manager or Scott Customer Service for more details.

631 Series Chin Canisters

Part Number	Description	Pieces Per Pkg	Price
805046-02	Ammonia / Methylamine Canister	6	\$269.10
805047-02	Chlorine Canister	6	\$245.00
805037-02	Chlorine / P100,Canister	6	\$271.40
805050-02	Organic Vapor/Acid Gas Canister w/R95 filter	6	\$278.30
805048-02	Organic Vapor/Acid Gas /Ammonia Canister w/R95 filter	6	\$419.80
805049-02	Organic Vapor Canister	6	\$211.60
805038-02	Organic Vapor / P100 Canister	6	\$271.40
805036-02	P100 Canister	10	\$378.40
805039-02	TEDA / P100 Canister (Radioiodine Vapors/Chlorine Gas)	6	\$307.10

40mm Series Canisters

Part Number	Description	Pieces Per Pkg	Price
805557-01	MPC Plus Cartridge	1	\$21.60
052683	P100 Cartridge	1	\$10.40
045123	Enforcement Cartridge	1	\$32.00
045135	CBRN Cap-1 Canister 	1	\$48.50


FACEPIECE ADAPTERS

FOR CARTRIDGES & CANISTERS



Select part numbers from this product line are part of the Scott Fast Trax Program. Contact your Regional Manager or Scott Customer Service for more details.

Facepiece Adapters

Part Number	Description	Pieces Per Pkg	Price
805622-01	742 Series Twin Cartridge 1/4 Turn Adapter	1	\$42.00
804058-01	631 Series Chin Canister Adapter	1	\$42.00
805059-01	40mm Cartridge Adapter	1	\$42.00
200423-01	40mm First Responder Adapter 	1	\$54.00

Quantitative Fit Testing Adapters for use with TSI Portacount (for pricing, see page 77)

Facepiece to be Fit Tested	Quantitative Fit Test Probe Adapter Required	Filter Required	Facepiece Adapter Required
742 Cartridge Series	7422-FT1	7422-FP1	805622-01
Xcel Half Mask	●	●	
Promask 25	●	●	
AV-2000, AV-3000, Weld-O-Vista	●	●	●
40mm Cartridge Series	805628-01	052683	805059-01
Promask 40, M95, M110, M120	●	●	
AV-2000, AV-3000, Weld-O-Vista*	●	●	●
631 Cartridge Series	805629-01	805036-02	804058-01
AV-2000, AV-3000, Weld-O-Vista	●	●	●

Quantitative Fit Testing Adapters for use with Fit Tester 3000

Facepiece to be Fit Tested	Quantitative Fit Test Probe Adapter Required	Filter Required	Facepiece Adapter Required
742 Cartridge Series	805816	7422-FP1	805622-01
Xcel Half Mask	●	●	N/A
Promask 25	●	●	N/A
AV-2000, AV-3000, Weld-O-Vista	●	●	●

BITREX

QUALITATIVE FIT TEST KIT



Bitrex Qualitative Fit Test Kit

Part Number	Description	Pieces Per Pkg	Price
2017070	Bitrex Qualitative Fit Test Kit	1	\$234.00

Bitrex Qualitative Fit Test Kit - Spare Parts

Part Number	Description	Pieces Per Pkg	Price
2017093	Fit Test Solution Applicator Kit (6 ampoules/box)	6	\$21.00
2017092	Sensitivity Solution Applicator Kit (6 ampoules/box)	6	\$22.00
2017094	Nebulizer	1	\$80.00
2017095	Test Hood	1	\$32.00

Fit Test Parts For Use With 742 Series Twin Cartridges

Part Number	Description	Pieces Per Pkg	List Price
805622-01	742 Series Twin Cartridge 1/4 Turn Adapter	1	\$42.00
7422-FP1	P100 Filter, 742 Series	1	\$10.00
7422-BA1	Organic Vapor Cartridges, 742 Series	1	\$10.60

Fit Test Parts and Accessories For Use With 631 Series Chin Canisters

Part Number	Description	Pieces Per Pkg	List Price
804058-01	631 Series Chin Canister Adapter	1	\$42.00
805036-02	631 Series Chin Canister P100 Filter	10	\$378.40
805049-02	631 Series Organic Vapor Chin Canister	6	\$211.60

Fit Test Parts and Accessories For Use With 40mm Series Canisters

Part Number	Description	Pieces Per Pkg	List Price
805059-01	40mm Canister Adapter	1	\$42.00
052683	40mm HEPA Cartridge	1	\$10.40

SPEED - EVAC

MOUTHBIT RESPIRATOR



Select part numbers from this product line are part of the Scott Fast Trax Program. Contact your Regional Manager or Scott Customer Service for more details.

Speed-Evac 90 Series Mouthbit Respirators

Part Number	Description	Pieces Per Pkg	Price
803834-01	Acid Gas, With Pouch	1	\$27.50
803834-03	Acid Gas, With Case	1	\$38.50
803834-30	Acid Gas, With Pouch	30	\$825.00
803834-32	Acid Gas, With Case	30	\$1,166.00
803839-01	Ammonia, With Pouch	1	\$27.50
803839-03	Ammonia, With Case	1	\$38.50
803839-30	Ammonia, With Pouch	30	\$825.00
803839-32	Ammonia, With Case	30	\$1,166.00

Speed-Evac 90 Series Mouthbit Respirators Part and Accessories

Part Number	Description	Pieces Per Pkg	Price
10007997	Mouthbit Noseclip	1	\$1.80
10008212	Mouthbit Replacement Bag	1	\$1.60
10008221	Mouthbit Belt Clip Retainer	1	\$1.60

PROTÉGÉ

PORTABLE MULTI-GAS MONITOR PRICE CONFIGURATOR



PRO-A-B-C-D-E-F

(A) Protégé Monitor Base Instrument Sensor Configuration - Protégé monitor standard equipment includes: CD w/manuals, PC software and interactive training, torx tool, calibration cup, quick reference guide, datalogging. LEL configured with methane. Pentane or propane configuration upon request.

1	O ₂ /LEL/CO/H ₂ S	\$500.00
2	O ₂ /LEL/CO	\$425.00
3	O ₂ /LEL/H ₂ S	\$425.00
4	O ₂ /LEL	\$320.00
5	LEL	\$300.00

(B) Region - This choice determines if an international charging adapter will be shipped if ordered.

1	United States/Americas	\$0.00
2	Brazil/NMetro	\$0.00
3	Canada/CSA	\$0.00
Z	All others	\$0.00

(C) Pump Kit - Includes pump, clear probe and 10 foot of tubing

1	Yes	\$245.00
2	No	\$0.00

(D) Calibration Kit - Includes 34ltr bottle of gas, regulator and tubing. Price dependent on sensor configuration.

1	Yes	\$0.00
2	No	\$0.00
	Oxygen, H ₂ S, CO and combustible gas cal kit adder (Methane)	\$375.00
	Oxygen, CO and combustible gas cal kit adder (Methane)	\$230.00
	Oxygen, H ₂ S and combustible gas cal kit adder (Methane)	\$230.00
	Combustible or Combustible/O ₂ Instrument gas calibration kit adder (Methane)	\$220.00
	Oxygen, H ₂ S, CO and combustible gas cal kit adder (Pentane)	\$375.00
	Oxygen, H ₂ S, CO and combustible gas cal kit adder (Propane)	\$375.00

(E) Charger Options

1	Standard Charger - Includes charger/programmer, AC adapter, USB cable for PC interface	\$95.00
2	No Charger	\$0.00
3	Car Charger	\$25.00
4	Standard Charger + Car Charger	\$120.00

(F) Foam Lined Carrying Case - Secure storage for calibration gas, charger, pump, probe and instrument

1	Yes	\$80.00
2	No	\$0.00

PROTÉGÉ

PORTABLE MULTI-GAS MONITOR



Protégé Monitor Kits: Includes gas monitor, charger, torx tool, manual, CD with PC software, USB cable and calibration adapter. LEL configured with methane. Pentane or propane configuration upon request.

Part Number US	Part Number CANADA	Description	Price
PRO-112212	PRO-132212	O ₂ /LEL/CO/H ₂ S Gas Monitor Kit	\$595.00
PRO-212212	PRO-232212	O ₂ /LEL/CO Gas Monitor Kit	\$520.00
PRO-312212	PRO-332212	O ₂ /LEL/H ₂ S Gas Monitor Kit	\$520.00
PRO-412212	PRO-432212	O ₂ /LEL Gas Monitor Kit	\$415.00
PRO-512212	PRO-532212	LEL Gas Monitor Kit	\$395.00

Confined Space Kits: Includes all the items above, plus pump, probe, tubing and calibration kit in a foam lined carry case. LEL configured with methane. Pentane or propane configuration upon request."

Part Number US	Part Number CANADA	Description	Price
PRO-111111	PRO-131111	O ₂ /LEL/CO/H ₂ S Confined Space Kit	\$1,295.00
PRO-211111	PRO-231111	O ₂ /LEL/CO Confined Space Kit	\$1,075.00
PRO-311111	PRO-331111	O ₂ /LEL/H ₂ S Confined Space Kit	\$1,075.00
PRO-411111	PRO-431111	O ₂ /LEL Confined Space Kit	\$960.00

Protégé Monitor Spare Parts

Part Number	Description	Price
096-3249	Protege Top Case Replacement Kit	\$22.00
093-0230	CO/H ₂ S Sensor	\$250.00
093-0231	Combustible sensor	\$150.00
093-0524	Combustible Sensor (Canada)	\$150.00
093-0232	Oxygen sensor	\$120.00
093-0470	CO sensor	\$160.00
093-0471	H ₂ S sensor	\$160.00
023-0022	Foam Pads - battery	\$1.00
009-0050	Horn - O-ring	\$1.00
023-0024	LCD foam pad	\$1.00
096-3247	LCD assy - foam/zebra strips/plastic housing/LCD	\$2.00
096-3259	Pump	\$195.00
096-3259-CSA	Pump (Canada)	\$195.00
074-0547	Calibration cup	\$2.00
073-0324	Torx tool #8	\$6.00
074-0558	Dummy sensor	\$6.00
096-3366	CD (manual, quick guide, Protégé monitor PC software, training)	\$5.00
062-0026	Quick guide	\$5.30
096-3278	Alligator clip and screw	\$3.00
077-0298	Probe particulate filter	\$39.00
077-0317	Probe hydrophobic filter	\$6.00
028-0045	AC adapter	\$15.00
028-0046	International plugs for Europe, UK, Australia, and Asia	\$5.00
028-0052	DC Adapter (allows for charging from car cigarette lighter)	\$25.00
096-3245	Pump motor	\$150.00
096-3248	Replacement Protégé monitor housing kit	\$35.00

Protégé Monitor Accessories

Part Number	Description	Price
077-1353	USB cable	\$10.00
096-3273	Foam lined carry case	\$80.00
096-3276	Americas charger	\$105.00
096-3277	International charger	\$105.00
096-3271	Pump kit (Pump, 10 ft. clear sample tubing, clear probe w/hydrophobic & particulate filters)	\$245.00
096-3271-CSA	Pump Kit, Canada	\$245.00
096-3167	10 ft. clear sample tubing	\$16.00
093-0148	Clear probe with hydrophobic and particulate filters	\$63.00
093-0526	Masterdock, Automated Bump test and calibration station, AC or battery powered.(Utilizes 103L 6D or 58L 8AL or 34L 2AL cylinder)	\$1,400.00
096-3283-1	Six Unit Protégé Multi-Charger (United States,Canada)	\$420.00
096-3283-2	Six Unit Protégé Multi-Charger (UK, Hong Kong, Singapore)	\$420.00
096-3283-3	Six Unit Protégé Multi-Charger (Europe & South America)	\$420.00
096-3283-4	Six Unit Protégé Multi-Charger (Asia & Australia)	\$420.00
062-0027	Protégé Multi-Charger quick guide	\$5.30
028-0047	Protégé Multi-Charger 9VDC/5A table top power supply	\$39.00
028-0048	North American detachable cord set	\$15.00
028-0049	UK British detachable cord set	\$15.00
028-0050	European detachable cord set	\$15.00
028-0051	Australian detachable cord set	\$15.00

Protégé Monitor Calibration Equipment

Part Number	Description	Price
096-2506-16	.5 L Regulator, tubing, 34ltr. LEL/O2/CO/H2S Calibration Kit (Methane)	\$390.00
096-2506-18	.5 L Regulator, tubing, 34ltr. LEL/O2/CO Calibration Kit (Methane)	\$239.00
096-2506-20	.5 L Regulator, tubing, 34ltr. LEL/O2/H2S Calibration Kit (Methane)	\$390.00
096-3272	.5 L Regulator, tubing, 34ltr. LEL Calibration Kit (Methane)	\$220.00
096-3392	.5 L Regulator, tubing, 34 ltr. LEL/O2/CO/H2S Calibration kit (Propane)	\$390.00
096-3393	.5 L Regulator, tubing, 34 ltr. LEL/O2/CO/H2S Calibration kit (Pentane)	\$390.00
077-0351	GAS CYL. 34L/2AL, LEL/O2/CO/H2S (Methane)	\$225.00
077-0352	GAS CYL. 58L, LEL/O2/CO/H2S (Methane)	\$281.00
077-0355	GAS CYL. 34L/2AL, LEL/O2/H2S (Methane)	\$225.00
077-0356	GAS CYL. 58L/8AL, LEL/O2/H2S (Methane)	\$234.00
077-0353	GAS CYL. 34L/7HP, LEL/O2/CO (Methane)	\$83.00
077-0354	GAS CYL. 103L/6D, LEL/O2/CO (Methane)	\$187.00
077-0357	GAS CYL. 34L/2AL, LEL (Methane)	\$50.00
077-1378	GAS CYL. 34L/2AL, LEL/O2/CO/H2S (Pentane)	\$225.00
077-1269	GAS CYL. 34L/2AL, LEL/O2/CO/H2S (Propane)	\$225.00
077-0018	REGULATOR, 2AL/8AL/6D .5LPM	\$160.00
077-1238	REGULATOR, 7HP .5LPM	\$180.00

NOTES



P.O. Box 569
Monroe, NC 28111
Telephone: 800.247.7257
Facsimile: 704.291.8330
www.scottsafety.com
sh-sale@tycoint.com
11.11

Nomex is a registered trademark of E.I. DuPont de Nemours and Company. | PBI Gold is a registered trademark of PBI Performance Products, Inc.
Pyrotone is a registered trademark of Elizabeth Webbing Mills Co., Inc. | Kevlar is a registered trademark of E.I. DuPont de Nemours and Company.

InfoTherm is a trademark of FLIR Systems, Inc. | PortaCount is a registered trademark of TSI, Inc.

Bitrex is a registered trademark of Macfarlan Smith Ltd. | Con-Space is a registered trademark of Con-Space Communications, Ltd.

MSL, Smokesight, and TCR - True Color Reception are a registered trademarks of TriSpec, Inc.

All Rights Reserved.